

CMP/ATEX

Medium pressure centrifugal fans fitted with forward curved impeller, ATEX 2G or 2D certification and Ex db, Ex eb or Ex tb motor



Notified authority: LOM
 Identification no.: LOM 04ATEX0007
 Motor marking:
 Ⓜ II 2G Ex db IIB T4 Gb
 Ⓜ II 2G Ex eb IIB T3 Gb
 Ⓜ II 2D Ex tb IIIC T135 °C Db



On request stainless steel construction

Medium pressure, single inlet, centrifugal fans with sheet steel casing and impeller. ATEX 2G or 2D certification with flameproof Ex db, increased safety Ex eb or dust ignition proof Ex tb motor to work in explosive gas or dust atmospheres.

Fan:

- Sheet steel casing.
- Forward curved impeller in galvanised sheet steel.
- Non-sparking inlet ring made of copper.
- Maximum temperature of air to be carried: -25 °C +88 °C (T4) or +120 °C (T3).
- Standard marking with flameproof motor (Ex db): II 2G Ex h IIB T4 Gb.
- Standard marking with increased safety motor (Ex eb): II 2G Ex h IIB T3 Gb.
- Standard marking with motor for dust ignition proof (Ex tb): II 2D Ex h IIIC T135 °C Db.

Motor:

- Class F motors with ball bearings, IP55 protection. ATEX certification flameproof Ex db, increased safety Ex eb or dust ignition proof Ex tb.
- Three-phase 230/400 V 50 Hz (up to 4 kW) and 400/690 V 50 Hz (powers greater than 4 kW).
- Working temperature: -20 °C +40 °C.

Finish:

- Anti-corrosive with ATEX paint, free of iron components, in polyester resin polymerized at 190 °C, after degreasing with phosphate-free nanotechnological treatment.

On request:

- Motors with built-in PTC.
- Special windings for different voltages and frequencies.
- ATEX construction for flammable dust.
- ATEX fan with greater protection than the standard marking.
- Stainless steel construction.

Order code

CMP/ATEX	—	1128	—	2T	—	5.5	/	2G Ex eb
↓		↓		↓		↓		↓
CMP/ATEX: Medium pressure centrifugal fans fitted with forward curved impeller, ATEX 2G or 2D certification and Ex db, Ex eb or Ex tb motor		Impeller size		Number of motor poles 2=3000 r/min 50 Hz 4=1500 r/min 50 Hz	T = Three-phase	Motor power (HP)		2G Ex eb: for zones 1 and 2 2G Ex db: for zones 1 and 2 2D Ex tb: for zones 21 and 22

Technical characteristics

Model	Speed (r/min)	Maximum admissible current (A)			Installed power (kW)	Maximum flow rate (m³/h)	Sound pressure level¹ dB (A)	Approx. weight (Kg)	
		230V	400V	690V				Inlet	Ex eb
CMP/ATEX-512-2T/2G	2730	0.74	0.43		0.12	380	54	5	5
CMP/ATEX-512-4T/2G	1320	0.65	0.38		0.09	255	47	5	5
CMP/ATEX-514-2T/2G	2760	1.21	0.70		0.18	680	57	6	6
CMP/ATEX-514-4T/2G	1320	0.65	0.38		0.09	565	50	6	6
CMP/ATEX-616-2T/2G	2845	2.21	1.27		0.55	1380	61	9	19
CMP/ATEX-616-4T/2G	1320	0.97	0.56		0.18	850	53	9	16

Technical characteristics

Model	Speed (r/min)	Maximum admissible current (A)			Installed power (kW)	Maximum flow rate (m³/h)	Sound pressure level¹ dB (A)		Approx. weight (Kg)	
		230V	400V	690V			Inlet	Ex eb	Ex db	
CMP/ATEX-620-2T/2G	2790	1.62	0.93		0.37	765	60	11	21	
CMP/ATEX-620-4T/2G	1320	0.97	0.56		0.18	810	53	9	16	
CMP/ATEX-718-2T/2G	2890	3.03	1.74		0.75	1435	62	14	26	
CMP/ATEX-718-4T/2G	1380	1.25	0.72		0.25	1280	55	11	20	
CMP/ATEX-820-2T/2G	2885	3.93	2.26		1.10	1900	65	18	31	
CMP/ATEX-820-4T/2G	1380	1.25	0.72		0.25	1670	58	12	21	
CMP/ATEX-922-2T-1.5/2G	2885	3.93	2.26		1.10	1650	62	23	36	
CMP/ATEX-922-2T-2/2G	2900	5.67	3.26		1.50	2010	63	24	43	
CMP/ATEX-922-2T-3/2G	2920	8.73	5.02		2.20	2600	66	27	48	
CMP/ATEX-922-4T/2G	1420	2.87	1.65		0.55	2450	58	20	34	
CMP/ATEX-1025-2T-3/2G	2920	8.73	5.02		2.20	2100	65	29	50	
CMP/ATEX-1025-2T-4/2G	2905	10.59	6.09		3.00	2830	69	34	58	
CMP/ATEX-1025-4T/2G	1435	4.54	2.61		1.10	3400	62	27	46	
CMP/ATEX-1128-2T-4/2G	2905	10.59	6.09		3.00	2220	69	37	61	
CMP/ATEX-1128-2T-5.5/2G	2945	13.15	7.56		4.00	3210	73	41	62	
CMP/ATEX-1128-4T/2G	1440	8.30	4.77		2.20	5000	66	37	60	
CMP/ATEX-1231-4T-3/2G	1440	8.30	4.77		2.20	4740	67	46	69	
CMP/ATEX-1231-4T-4/2G	1445	11.27	6.48		3.00	5910	69	49	72	
CMP/ATEX-1231-4T-5.5/2G	1460	15.29	8.79		4.00	6850	71	53	77	
CMP/ATEX-1435-4T-4/2G	1445	11.27	6.48		3.00	5400	70	54	77	
CMP/ATEX-1435-4T-5.5/2G	1460	15.29	8.79		4.00	6260	72	61	85	
CMP/ATEX-1435-4T-7.5/2G	1455		10.64	18.50	5.50	7210	74	74	113	
CMP/ATEX-1640-4T-5.5/2G	1460	15.29	8.79		4.00	7000	71	79	103	
CMP/ATEX-1640-4T-7.5/2G	1455		10.64	18.50	5.50	8035	74	92	131	
CMP/ATEX-1640-4T-10/2G	1460		14.39	25.03	7.50	9710	76	100	134	
CMP/ATEX-1845-4T-7.5/2G	1455		10.64	18.50	5.50	8000	78	94	133	
CMP/ATEX-1845-4T-10/2G	1460		14.39	25.03	7.50	10000	81	102	136	
CMP/ATEX-2050-4T-10/2G	1460		14.39	25.03	7.50	9000	79	135	169	
CMP/ATEX-2050-4T-15/2G	1470		20.76	36.10	11.00	12500	83	162	259	
CMP/ATEX-2050-4T-20/2G	1460		28.19	49.03	15.00	16500	85	181	282	

1. The noise level values are pressures in dB(A) measured at a distance of 3 metres in a free field.

Acoustic characteristics

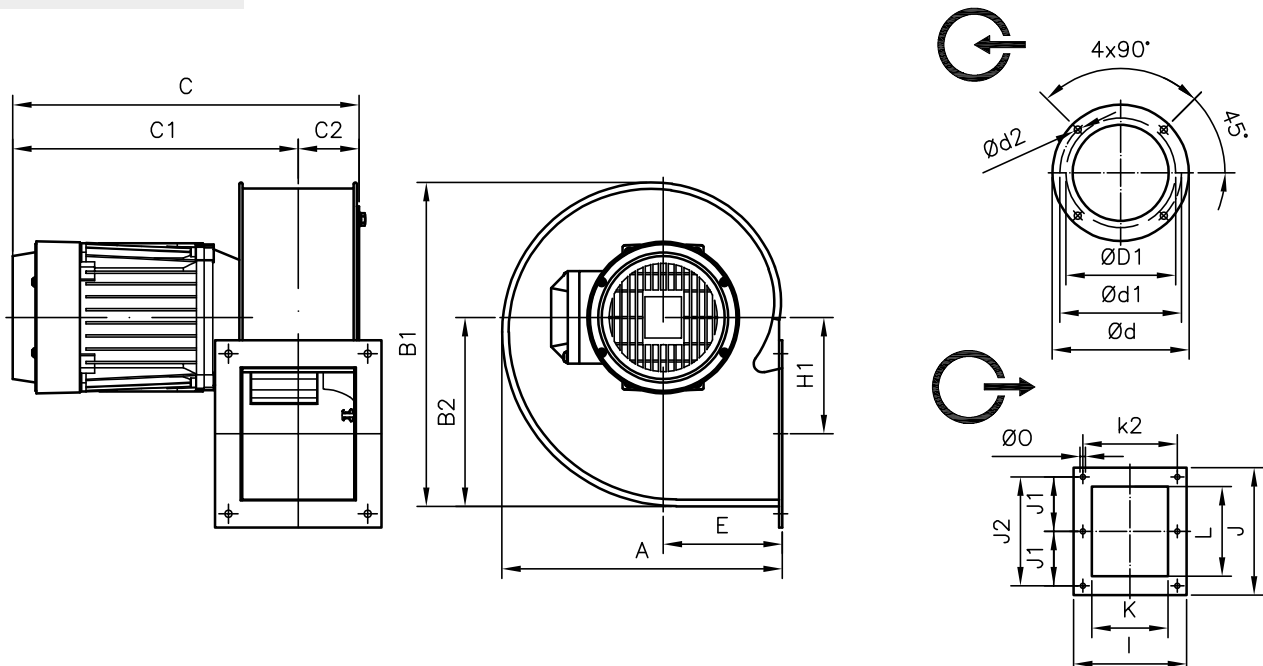
The values given are obtained under laboratory conditions according to ISO 3744.

Sound power spectrum Lw(A) in dB(A) per Hz frequency band Values measured at inlet with maximum flow rate

	63	125	250	500	1000	2000	4000	8000		63	125	250	500	1000	2000	4000	8000
CMP/ATEX-512-2T	39	49	60	67	71	68	66	59	CMP/ATEX-1025-4T	47	57	68	75	79	76	74	67
CMP/ATEX-512-4T	32	42	53	60	64	61	59	52	CMP/ATEX-1128-2T-4	54	64	75	82	86	83	81	74
CMP/ATEX-514-2T	42	52	63	70	74	71	69	62	CMP/ATEX-1128-2T-5.5	58	68	79	86	90	87	85	78
CMP/ATEX-514-4T	35	45	56	63	67	64	62	55	CMP/ATEX-1128-4T	51	61	72	79	83	80	78	71
CMP/ATEX-616-2T	46	56	67	74	78	75	73	66	CMP/ATEX-1231-4T-3	53	62	73	80	84	82	80	73
CMP/ATEX-616-4T	38	48	59	66	70	67	65	58	CMP/ATEX-1231-4T-4	55	64	75	82	86	84	82	75
CMP/ATEX-620-2T	45	55	66	73	77	74	72	65	CMP/ATEX-1231-4T-5.5	57	66	77	84	88	86	84	77
CMP/ATEX-620-4T	38	48	59	66	70	67	65	58	CMP/ATEX-1435-4T-4	56	65	76	83	87	85	83	76
CMP/ATEX-718-2T	47	57	68	75	79	76	74	67	CMP/ATEX-1435-4T-5.5	58	67	78	85	89	87	85	78
CMP/ATEX-718-4T	40	50	61	68	72	69	67	60	CMP/ATEX-1435-4T-7.5	60	69	80	87	91	89	87	80
CMP/ATEX-820-2T	50	60	71	78	82	79	77	70	CMP/ATEX-1640-4T-5.5	57	66	77	84	88	86	84	77
CMP/ATEX-820-4T	43	53	64	71	75	72	70	63	CMP/ATEX-1640-4T-7.5	60	69	80	87	91	89	87	80
CMP/ATEX-922-2T-1.5	47	57	68	75	79	76	74	67	CMP/ATEX-1640-4T-10	62	71	82	89	93	91	89	82
CMP/ATEX-922-2T-2	48	58	69	76	80	77	75	68	CMP/ATEX-1845-4T-7.5	63	73	84	91	95	93	91	83
CMP/ATEX-922-2T-3	51	61	72	79	83	80	78	71	CMP/ATEX-1845-4T-10	66	76	87	94	98	96	94	86
CMP/ATEX-922-4T	43	53	64	71	75	72	70	63	CMP/ATEX-2050-4T-10	64	74	85	92	96	94	92	84
CMP/ATEX-1025-2T-3	50	60	71	78	82	79	77	70	CMP/ATEX-2050-4T-15	68	78	89	96	100	98	96	88
CMP/ATEX-1025-2T-4	54	64	75	82	86	83	81	74	CMP/ATEX-2050-4T-20	70	80	91	98	102	100	98	90

Dimensions mm

512/820 Ex eb



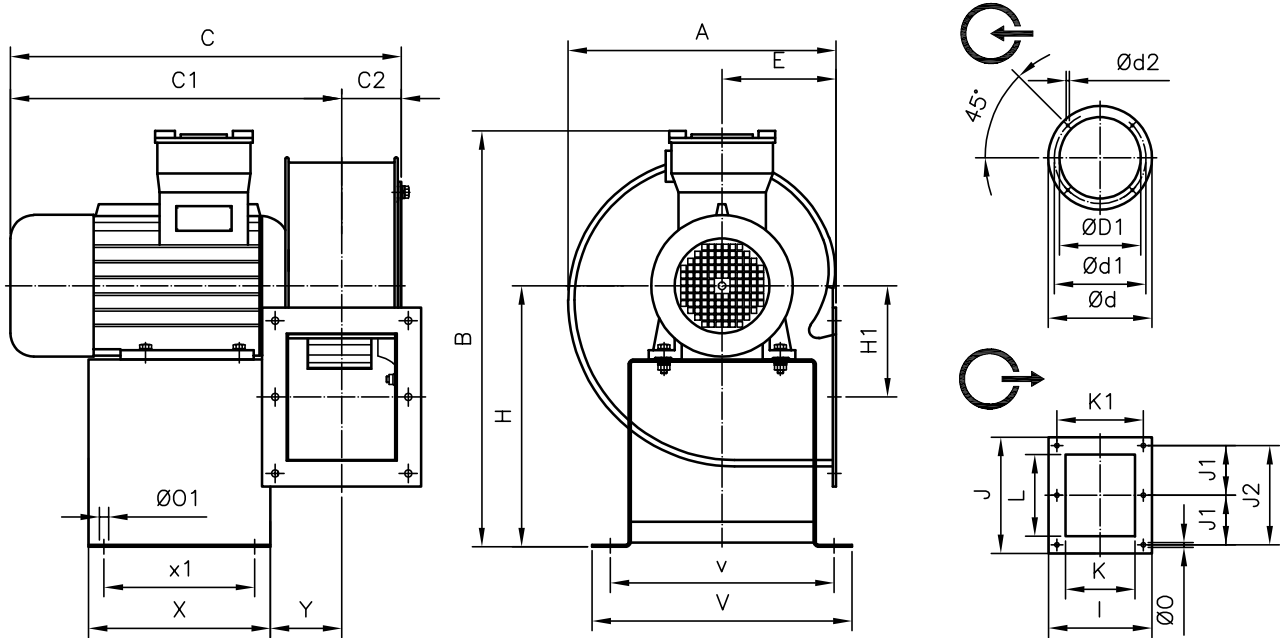
	A	B1	B2	C	C1	C2	ØD1*	Ød	Ød1	Ød2	E	H1	I	J	J1	J2
CMP/ATEX-512-2T	192	206.5	118	273	232	40.5	106	140	132	5.5	82.5	69	104	117	-	104.5
CMP/ATEX-512-4T	192	206.5	118	273	232	40.5	106	140	132	5.5	82.5	69	104	117	-	104.5
CMP/ATEX-514-2T	224	252.5	149	281	236	44.5	140	169	151.5	6.5	100	90.5	122	147	-	128
CMP/ATEX-514-4T	224	252.5	149	281	236	44.5	140	169	151.5	6.5	100	90.5	122	147	-	128
CMP/ATEX-616-2T	258	297	173.5	330	274	56	160	204	180	M6	110	105.5	153	172	-	147
CMP/ATEX-616-4T	258	297	173.5	289	233	56	160	204	180	M6	110	105.5	153	172	-	147
CMP/ATEX-620-2T	298	347	202.5	331	275	56	200	247	230	M6	126	145.5	159	153	-	128
CMP/ATEX-620-4T	298	347	202.5	318	262	56	200	247	230	M6	126	145.5	159	153	-	128
CMP/ATEX-718-2T	303.5	348	201	375	314	61	180	238	210	M6	129.5	122	169	192	85	170
CMP/ATEX-718-4T	303.5	348	201	341	280	61	180	238	210	M6	129.5	122	169	192	85	170
CMP/ATEX-820-2T	322	377	223	389.5	321	68.5	200	247	230	M6	137.5	137	184	213	94.5	189
CMP/ATEX-820-4T	322	377	223	356	287.5	68.5	200	247	230	M6	137.5	137	184	213	94.5	189

* Recommended nominal tube diameter

	K	k2	L	ØO
CMP/ATEX-512-2T	75	92	86	5.5
CMP/ATEX-512-4T	75	92	86	5.5
CMP/ATEX-514-2T	83	105	107	6.5
CMP/ATEX-514-4T	83	105	107	6.5
CMP/ATEX-616-2T	103	128	122	7
CMP/ATEX-616-4T	103	128	122	7
CMP/ATEX-620-2T	105	134	100	8
CMP/ATEX-620-4T	105	134	100	8
CMP/ATEX-718-2T	115	145	146	9
CMP/ATEX-718-4T	115	145	146	9
CMP/ATEX-820-2T	130	160	156	9
CMP/ATEX-820-4T	130	160	156	9

Dimensions mm

512/820 Ex db



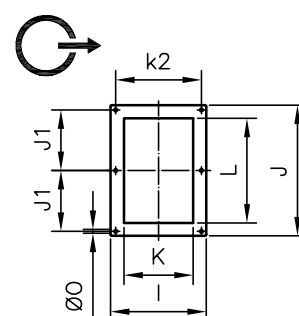
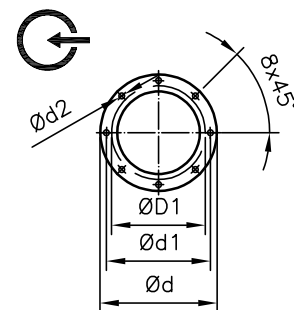
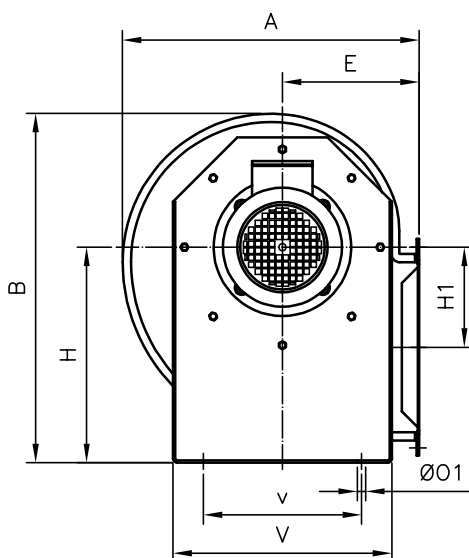
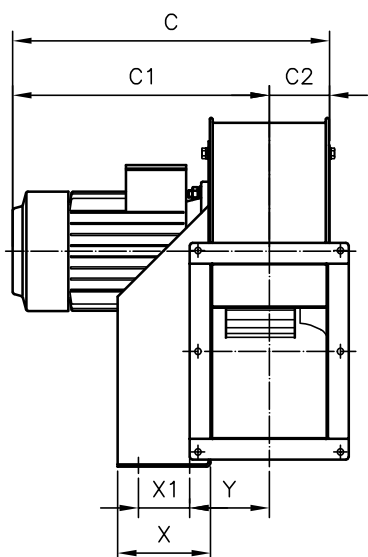
	A	B	C	C1	C2	øD1*	ød	ød1	ød2	E	H	H1	I	J	J1	J2
CMP/ATEX-512-2T	192	266	282	241.5	40.5	106	140	132	5.5	82.5	141	69	104	117	-	104.5
CMP/ATEX-512-4T	192	290	361	321	40.5	106	140	132	5.5	82.5	148	69	104	117	-	104.5
CMP/ATEX-514-2T	224	325	369.5	325	44.5	140	169	151.5	6.5	100	183	90.5	122	147	-	128
CMP/ATEX-514-4T	224	325	369.5	325	44.5	140	169	151.5	6.5	100	183	90.5	122	147	-	128
CMP/ATEX-616-2T	258	400	376	318.5	57.5	160	204	180	M6	109.5	251	107	153	172	-	147
CMP/ATEX-616-4T	258	380	346	288.5	57.5	160	204	180	M6	109.5	243	107	153	172	-	147
CMP/ATEX-620-2T	298	400	376	320	56	200	247	230	M6	126	251	145.5	159	153	-	128
CMP/ATEX-620-4T	298	388	346	290	56	200	247	230	M6	126	243	145.5	159	153	-	128
CMP/ATEX-718-2T	303.5	440	396	335	61	180	238	210	M6	129.5	260	122	169	192	85	170
CMP/ATEX-718-4T	303.5	400	386	325	61	180	238	210	M6	129.5	251	122	169	192	85	170
CMP/ATEX-820-2T	322	440	415	343.5	71.5	200	247	230	M6	137.5	260	137	184	213	94.5	189
CMP/ATEX-820-4T	322	405	403	331.5	71.5	200	247	230	M6	137.5	251	137	184	213	94.5	189

* Recommended nominal tube diameter

	K	k1	L	øO	øO1	V	v	X	x1	Y
CMP/ATEX-512-2T	75	92	86	5.5	9	210	180	125	95	47
CMP/ATEX-512-4T	75	92	86	5.5	9	210	180	125	95	66
CMP/ATEX-514-2T	83	105	107	6.5	9	210	180	130	100	66
CMP/ATEX-514-4T	83	105	107	6.5	9	210	180	130	100	66
CMP/ATEX-616-2T	103	128	125	7	9	250	215	175	145	83.5
CMP/ATEX-616-4T	103	128	125	7	9	250	215	175	145	78.5
CMP/ATEX-620-2T	105	134	100	8	9	250	215	175	145	84.5
CMP/ATEX-620-4T	105	134	100	9	9	250	215	175	145	79.5
CMP/ATEX-718-2T	115	145	146	9	9	250	215	175	145	94.5
CMP/ATEX-718-4T	115	145	146	9	9	250	215	175	145	94.5
CMP/ATEX-820-2T	130	160	156	9	9	250	215	175	145	102
CMP/ATEX-820-4T	130	160	156	9	9	250	215	175	145	97

Dimensions mm

922/1231 Ex eb/ Ex db



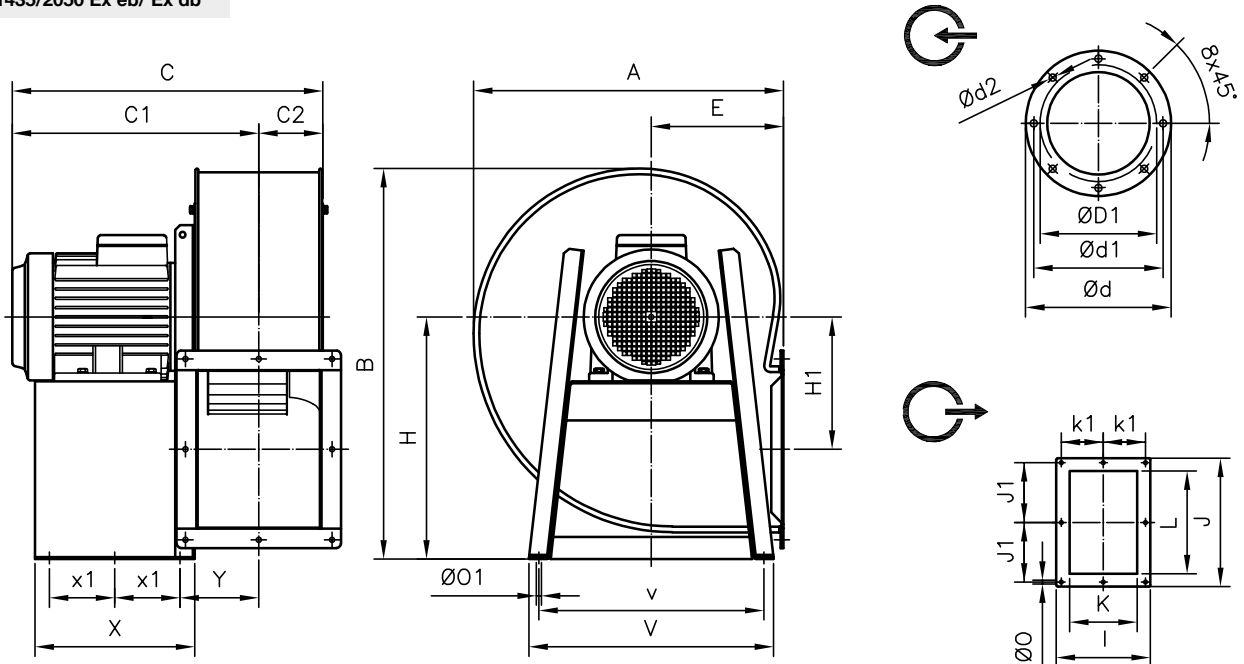
	Ex eb			Ex db			ØD1*	Ød	Ød1	Ød2	E	H	H1	I	J	
	A	B	C	C1	C	C1										C2
CMP/ATEX-922-2T-1.5	388.5	455	403.5	330	424	351	73.5	224	278	256	M8	180	280	134	204	282.5
CMP/ATEX-922-2T-2	388.5	455	403.5	330	430.5	357	73.5	224	278	256	M8	180	280	134	204	282.5
CMP/ATEX-922-2T-3	388.5	455	403.5	330	430.5	357	73.5	224	278	256	M8	180	280	134	204	282.5
CMP/ATEX-922-4T	388.5	455	415	341.5	424	351	73.5	224	278	256	M8	180	280	134	204	282.5
CMP/ATEX-1025-2T-3	427	503	450	364	466	380	86	250	305	282	M8	197	310	144	229	312.5
CMP/ATEX-1025-2T-4	427	503	487	401	516	430	86	250	305	282	M8	197	310	144	229	312.5
CMP/ATEX-1025-4T	427	503	450	364	466	380	86	250	305	282	M8	197	310	144	229	312.5
CMP/ATEX-1128-2T-4	472	553	502	408.5	532.5	434	93.5	280	348	320	M8	216	340	152	244	364
CMP/ATEX-1128-2T-5.5	472	553	530	436.5	553.5	451	93.5	280	348	320	M8	216	340	152	244	364
CMP/ATEX-1128-4T	472	553	502	408.5	532.5	434	93.5	280	348	320	M8	216	340	152	244	364
CMP/ATEX-1231-4T-3	526	630	522	418.5	547.5	444	103.5	315	382	354	M8	238	390	179.5	264	382.5
CMP/ATEX-1231-4T-4	526	630	522	418.5	457.5	444	103.5	315	382	354	M8	238	390	179.5	264	382.5
CMP/ATEX-1231-4T-5.5	526	630	560	456.5	576.5	434	103.5	315	382	354	M8	238	390	179.5	264	382.5

* Recommended nominal tube diameter

	J1	K	k2	L	ØO	ØO1	V	v	X	X1	Y
CMP/ATEX-922-2T-1.5	128	140	180	215	9.5	10.5	290	220	114	50	105
CMP/ATEX-922-2T-2	128	140	180	215	9.5	10.5	290	220	114	50	105
CMP/ATEX-922-2T-3	128	140	180	215	9.5	10.5	290	220	114	50	105
CMP/ATEX-922-4T	128	140	180	215	9.5	10.5	290	220	114	50	105
CMP/ATEX-1025-2T-3	145	165	205	250	9.5	12.5	315	228	134	74	115.5
CMP/ATEX-1025-2T-4	145	165	205	250	9.5	12.5	315	228	134	74	115.5
CMP/ATEX-1025-4T	145	165	205	250	9.5	12.5	315	228	134	74	115.5
CMP/ATEX-1128-2T-4	170	180	220	296.5	9.5	12.5	348	245	144	95	122.5
CMP/ATEX-1128-2T-5.5	170	180	220	296.5	9.5	12.5	348	245	144	95	122.5
CMP/ATEX-1128-4T	170	180	220	296.5	9.5	12.5	348	245	144	95	122.5
CMP/ATEX-1231-4T-3	180	200	240	320	11.5	13	382	322	183	140	126
CMP/ATEX-1231-4T-4	180	200	240	320	11.5	13	382	322	183	140	126
CMP/ATEX-1231-4T-5.5	180	200	240	320	11.5	13	382	322	183	140	126

Dimensions mm

1435/2050 Ex eb/ Ex db



	Ex eb			Ex db			ØD1*	Ød	Ød1	Ød2	E	H	H1	I	J	
	A	B	C	C1	C	C1										C2
CMP-1435-4T-4	573.5	715	599	481	577	459	118	355	422	394	M8	250	445	242.5	292	342.5
CMP-1435-4T-5.5	573.5	715	591	473	597	479	118	355	422	394	M8	250	445	242.5	292	342.5
CMP-1435-4T-7.5	573.5	715	612	494	670	552	118	355	422	394	M8	250	445	242.5	292	342.5
CMP-1640-4T-5.5	634	799	615.5	485.5	621	491	130	400	464	438	M8	270	495	271	336	404
CMP-1640-4T-7.5	634	799	647.5	517.5	693	563	130	400	464	438	M8	270	495	271	336	404
CMP-1640-4T-10	634	799	687.5	557.5	693	563	130	400	464	438	M8	270	495	271	336	404
CMP-1845-4T-7.5	711	901	670.5	523.5	727	580	147	450	515	485	M8	302	560	305	370	444
CMP-1845-4T-10	711	901	709.5	562.5	727	580	147	450	515	485	M8	302	560	305	370	444
CMP-2050-4T-10	797	987	742	579.5	759	596.5	162.5	500	565	535	M8	345	610	313	411	544
CMP-2050-4T-15	797	987	839	676.5	923.5	764.5	162.5	500	565	535	M8	345	610	313	411	544
CMP-2050-4T-20	797	987	922.5	760	923.5	764.5	162.5	500	565	535	M8	345	610	313	411	544

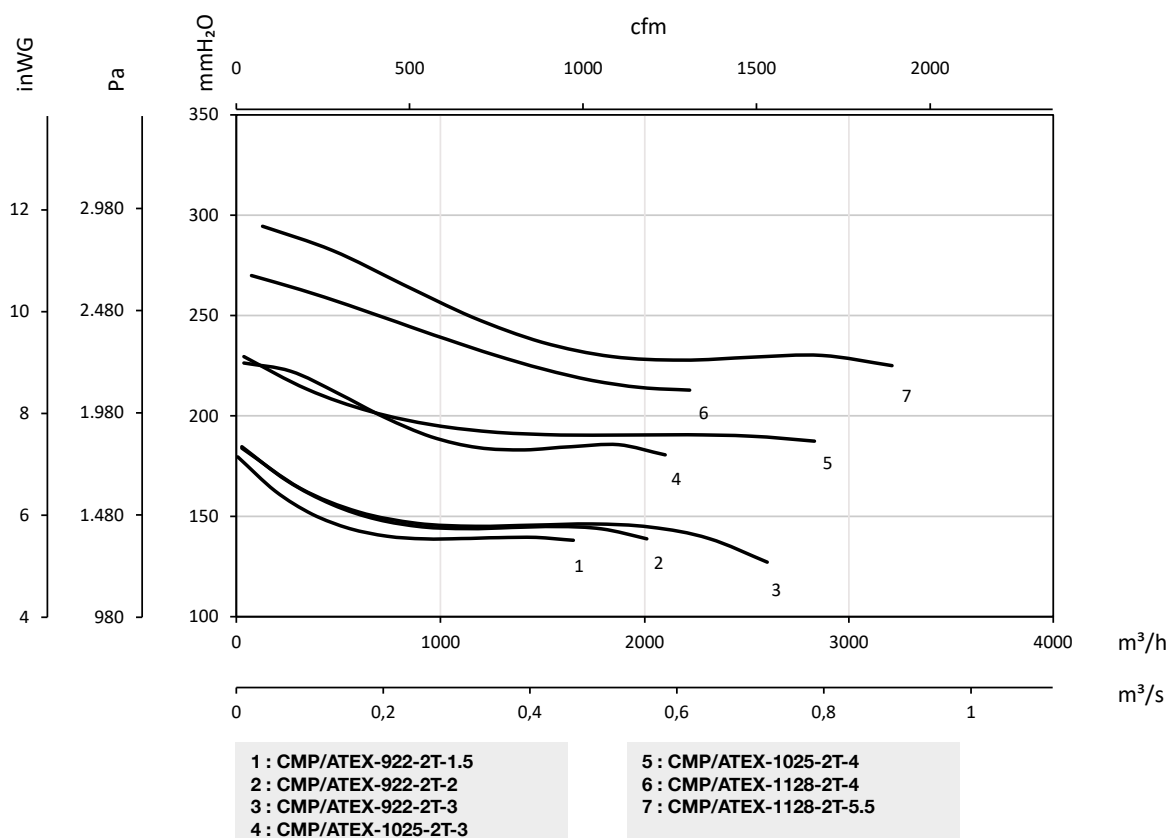
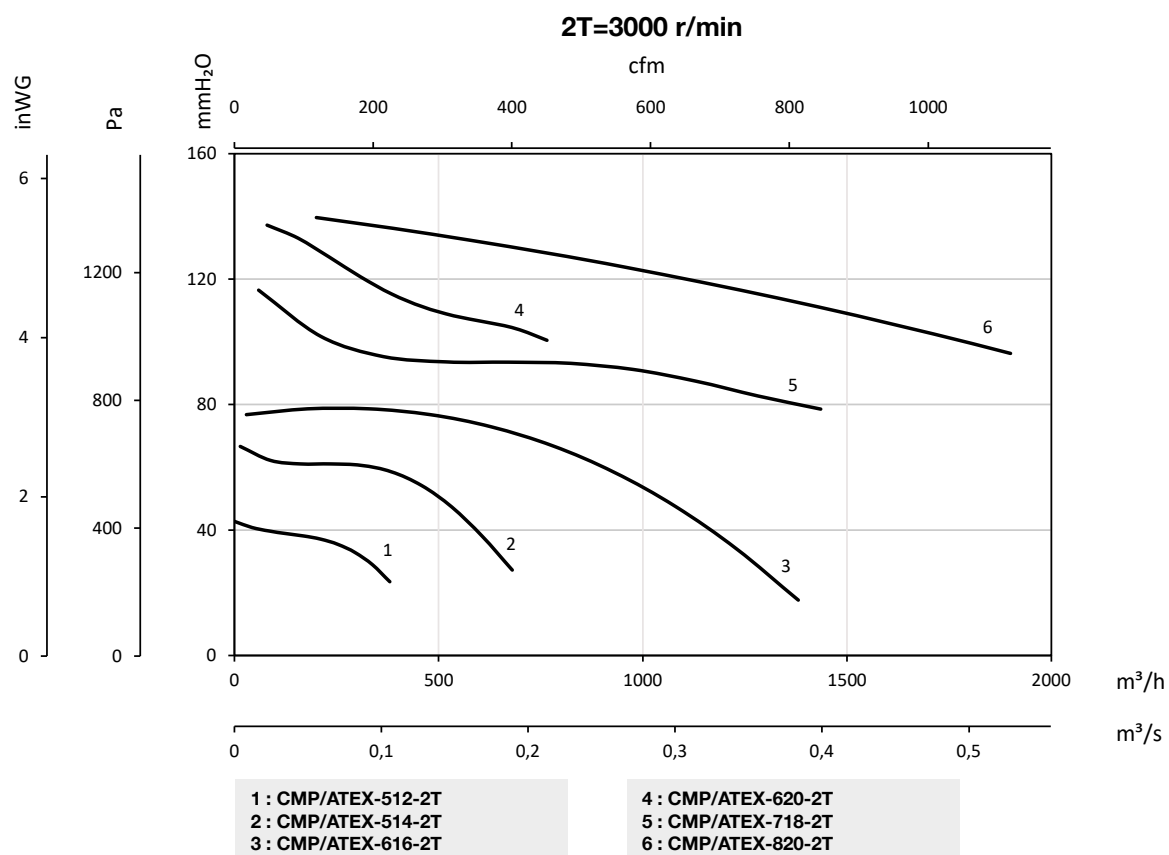
* Recommended nominal tube diameter

	J1	K	k1	L	ØO	ØO1	V	v	X	X1	Y
CMP-1435-4T-4	159	228	133	280	11.5	12	456	420	333	136.5	150
CMP-1435-4T-5.5	159	228	133	280	11.5	12	456	420	333	136.5	150
CMP-1435-4T-7.5	159	228	133	280	11.5	12	456	420	333	136.5	150
CMP-1640-4T-5.5	185	250	150	321	11.5	12	500	460	327	133.5	162.5
CMP-1640-4T-7.5	185	250	150	321	11.5	12	500	460	327	133.5	162.5
CMP-1640-4T-10	185	250	150	321	11.5	12	500	460	327	133.5	162.5
CMP-1845-4T-7.5	202	284	164	361	11.5	12	538	502	340	140	179.5
CMP-1845-4T-10	202	284	164	361	11.5	12	538	502	340	140	179.5
CMP-2050-4T-10	250	315	182.5	451	11.5	12	653	615	435	188	196
CMP-2050-4T-15	250	315	182.5	451	11.5	12	653	615	435	188	196
CMP-2050-4T-20	250	315	182.5	451	11.5	12	653	615	435	188	196

Characteristic curves

Q= Flow rate in m³/h, m³/s and cfm

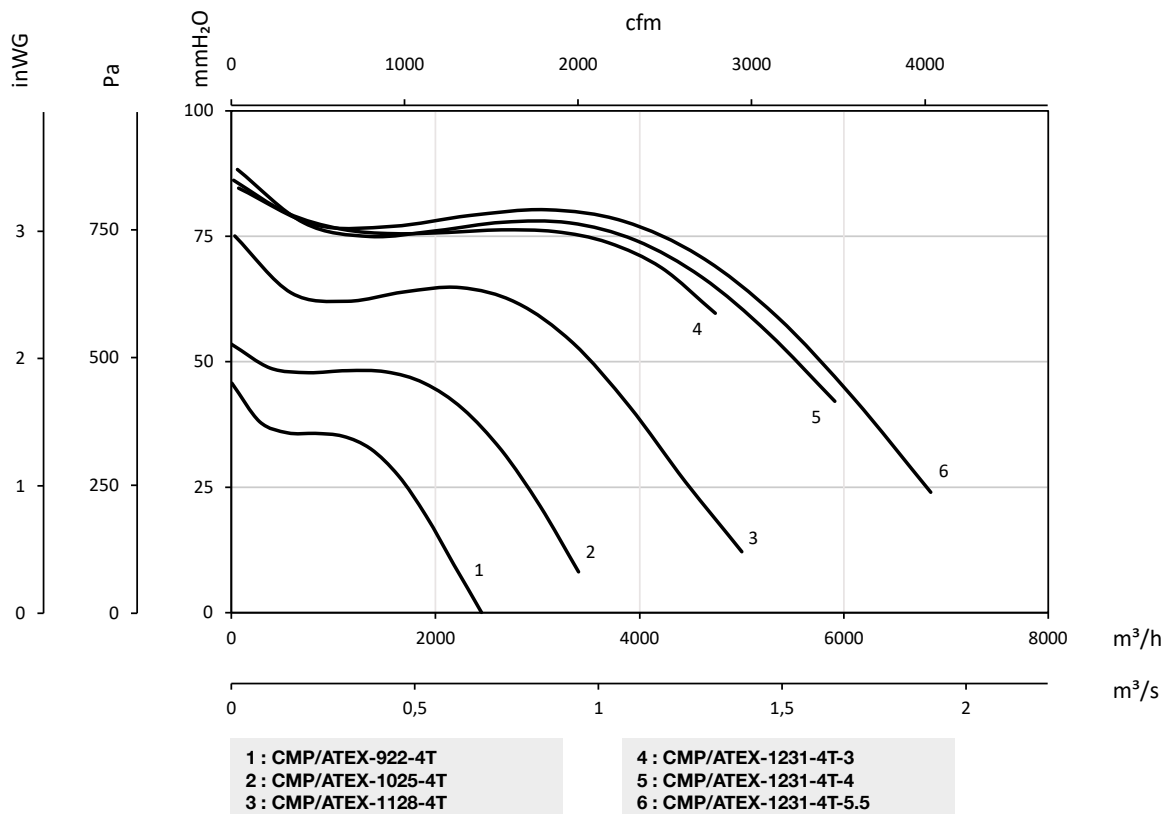
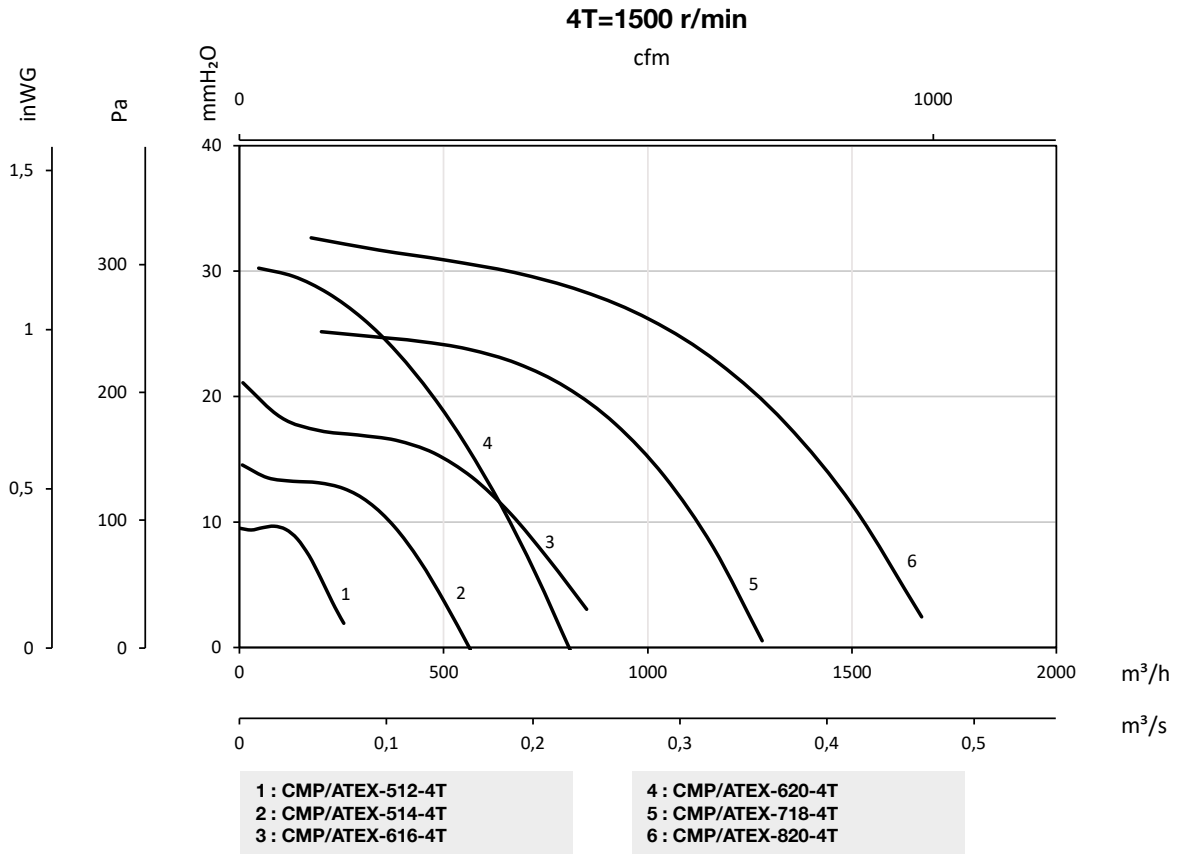
Pe= Static pressure in mm H₂O, Pa and inWG



Characteristic curves

Q= Flow rate in m³/h, m³/s and cfm

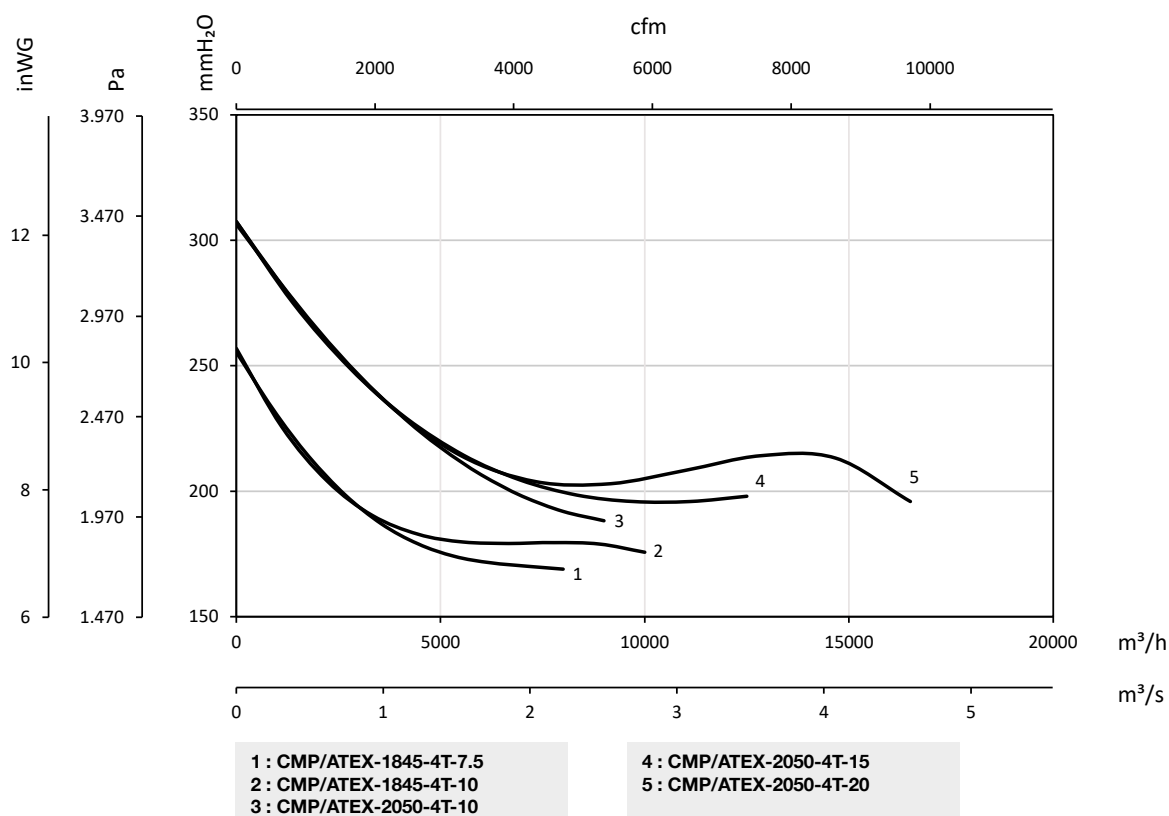
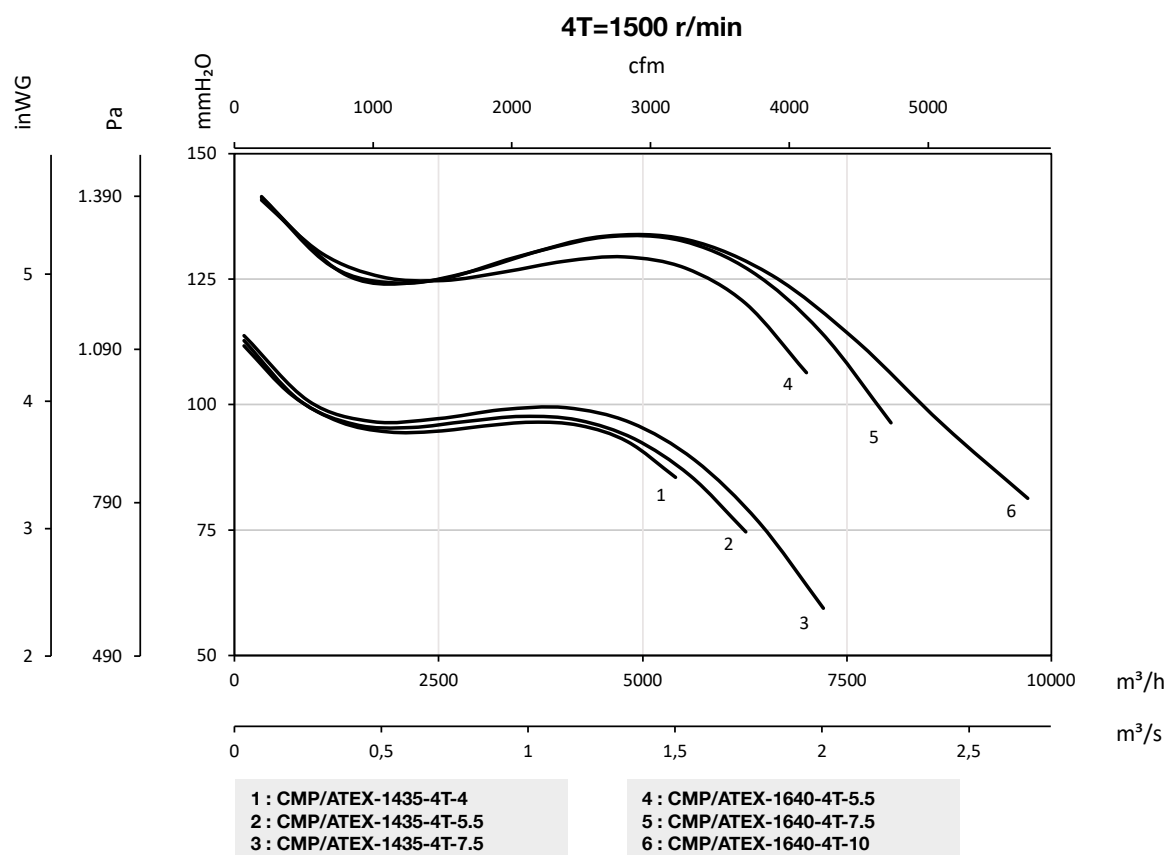
Pe= Static pressure in mm H₂O, Pa and inwg



Characteristic curves

Q= Flow rate in m³/h, m³/s and cfm

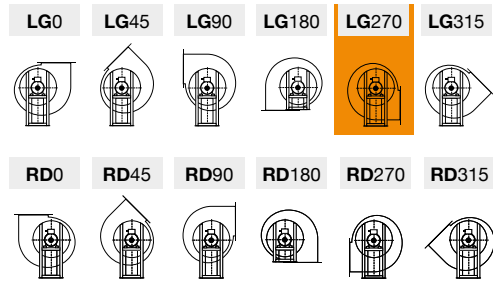
Pe= Static pressure in mm H₂O, Pa and inWG



Orientations

Standard supply LG 270

Positions LG 180 and RD 180 on request with special anchoring measurements.



Accessories



INT/ATEX



RPA



B



BD



BIC



ACE/ATEX



REG



S