

CSXR



Belt driven single inlet centrifugal fans on one side of the shaft with backward curved impeller



Fan:

- Galvanised steel sheet casing.
- Backward curved impeller made of painted sheet steel.
- Maximum temperature of air to be carried: -25 °C +85 °C.

Finish:

- Galvanised steel sheet.

On request:

- ATEX certification.

Order code

CSXR — 450



CSXR: Belt driven single inlet centrifugal fans on one side of the shaft with backward curved impeller



Impeller size mm

Technical characteristics

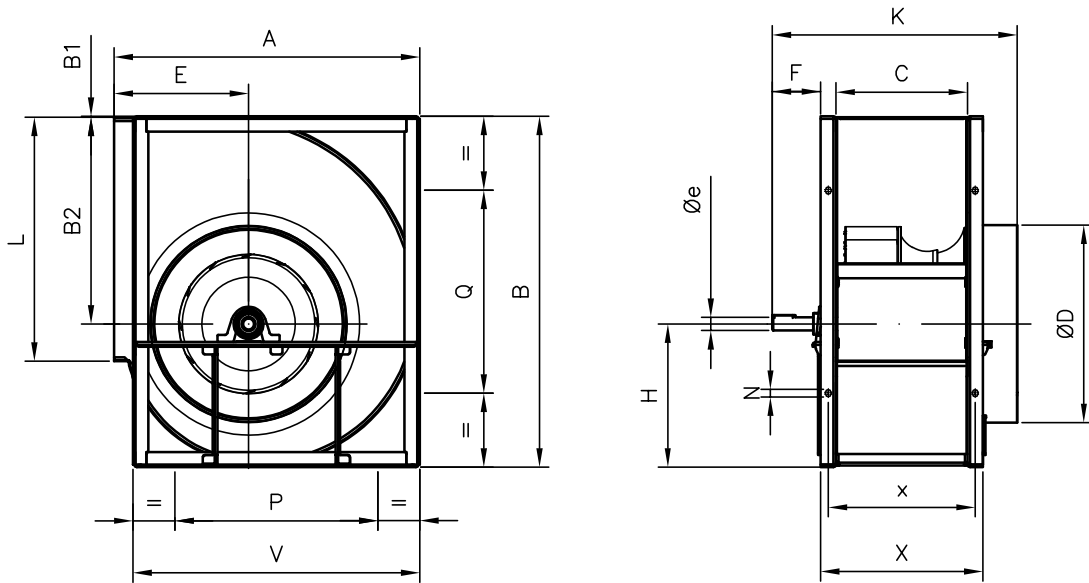
Model	Max. speed (r/min)	Installed power max. (kW)	Maximum flow rate (m³/h)	Air temperature (°C)		Approx. weight (Kg)
				min.	max.	
CSXR-315	3380	1.1	5540	-25	+85	27
CSXR-355	3100	1.5	7240	-25	+85	39
CSXR-400	2610	1.5	8650	-25	+85	44
CSXR-450	2700	3.0	12440	-25	+85	55
CSXR-500	2300	5.5	13630	-25	+85	70
CSXR-560	2000	7.5	17850	-25	+85	110
CSXR-630	1900	7.5	22800	-25	+85	125
CSXR-710	1750	7.5	31120	-25	+85	175
CSXR-800	1600	22.0	41050	-25	+85	252
CSXR-900	1400	30.0	46380	-25	+85	360
CSXR-1000	1400	37.0	56020	-25	+85	445



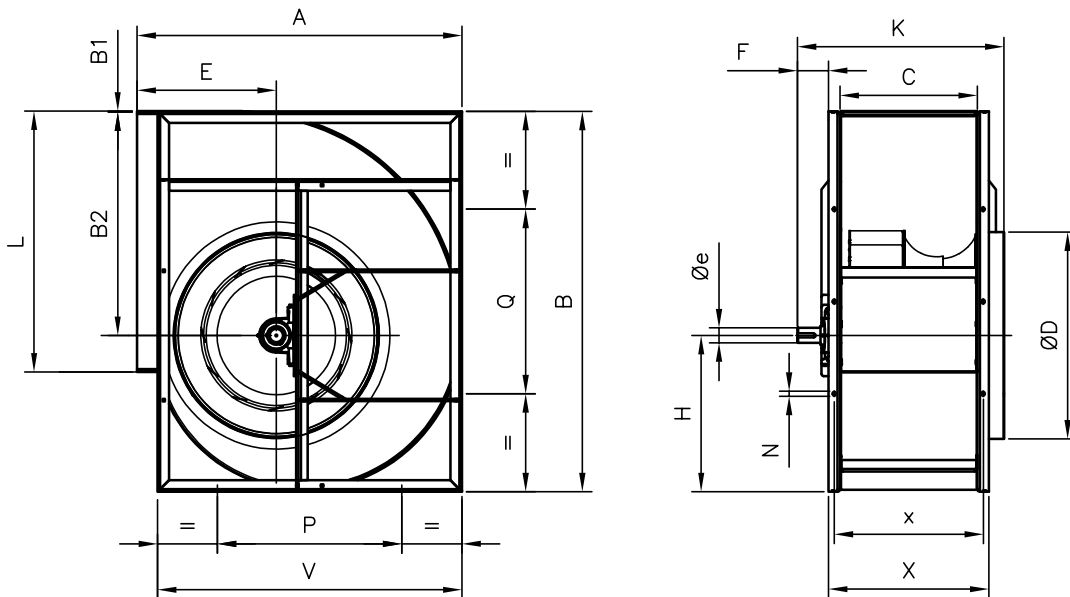
Erp. (Energy Related Products)

Information on Directive 2009/125/EC can be downloaded from the SODECA website or the QuickFan selector programme.

Dimensions mm



	A	B	B1	B2	C	ØD	Øe	E	F	H	K	L	N	P	Q	V	X	x
CSXR-315	518	578	2	404	223	322	25	236	83	235	441	404	13x18	280	280	480	283	253
CSXR-355	578	655	-	385	247	362	35	261	78	266	483	453	13x18	355	355	548	327	287
CSXR-400	651	733	-	433	274	420	35	290	91	300	520	507	13x18	355	355	613	354	314
CSXR-450	726	823	-	487	308	470	35	322	126.6	336	604.6	569	13x18	530	530	681	388	348
CSXR-500	800	918	3	543	344	517	35	352	126.6	375	640.6	638	15x20	530	530	750	424	384

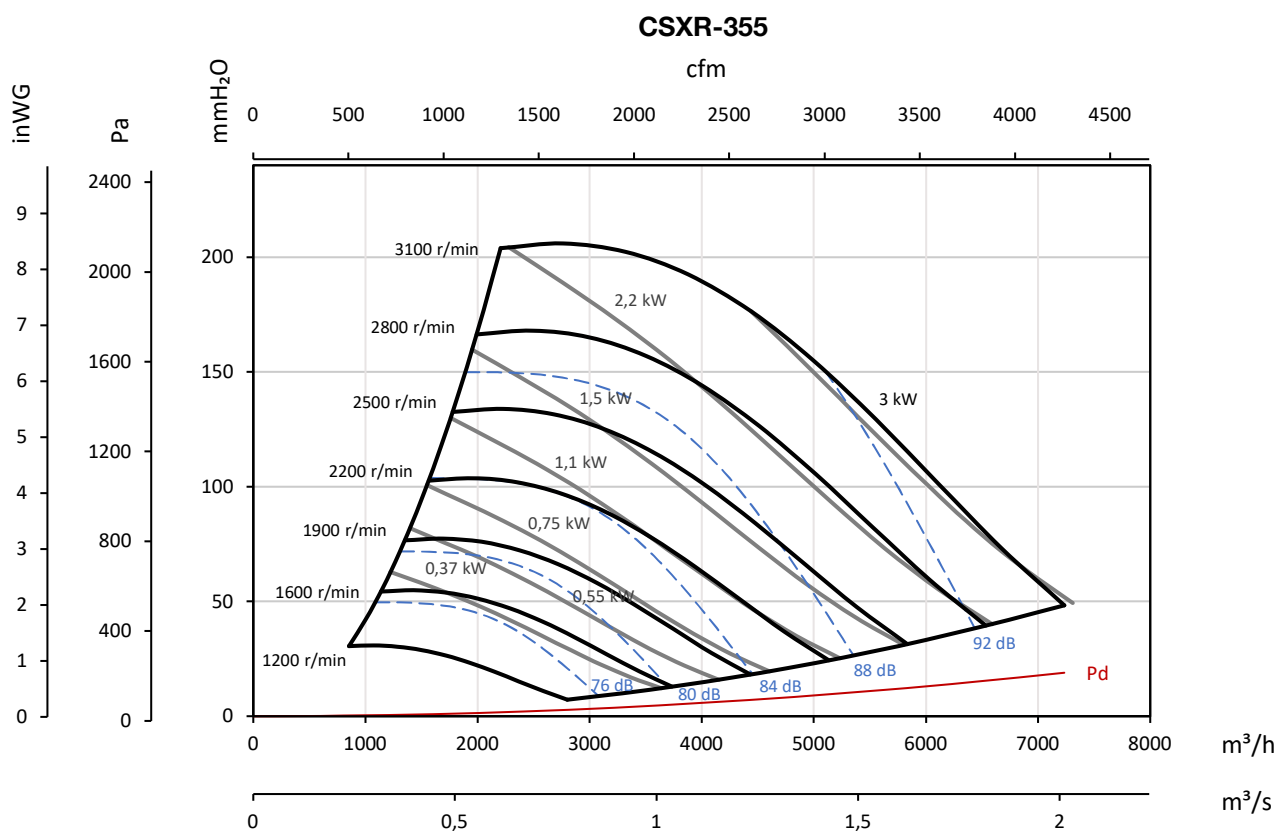
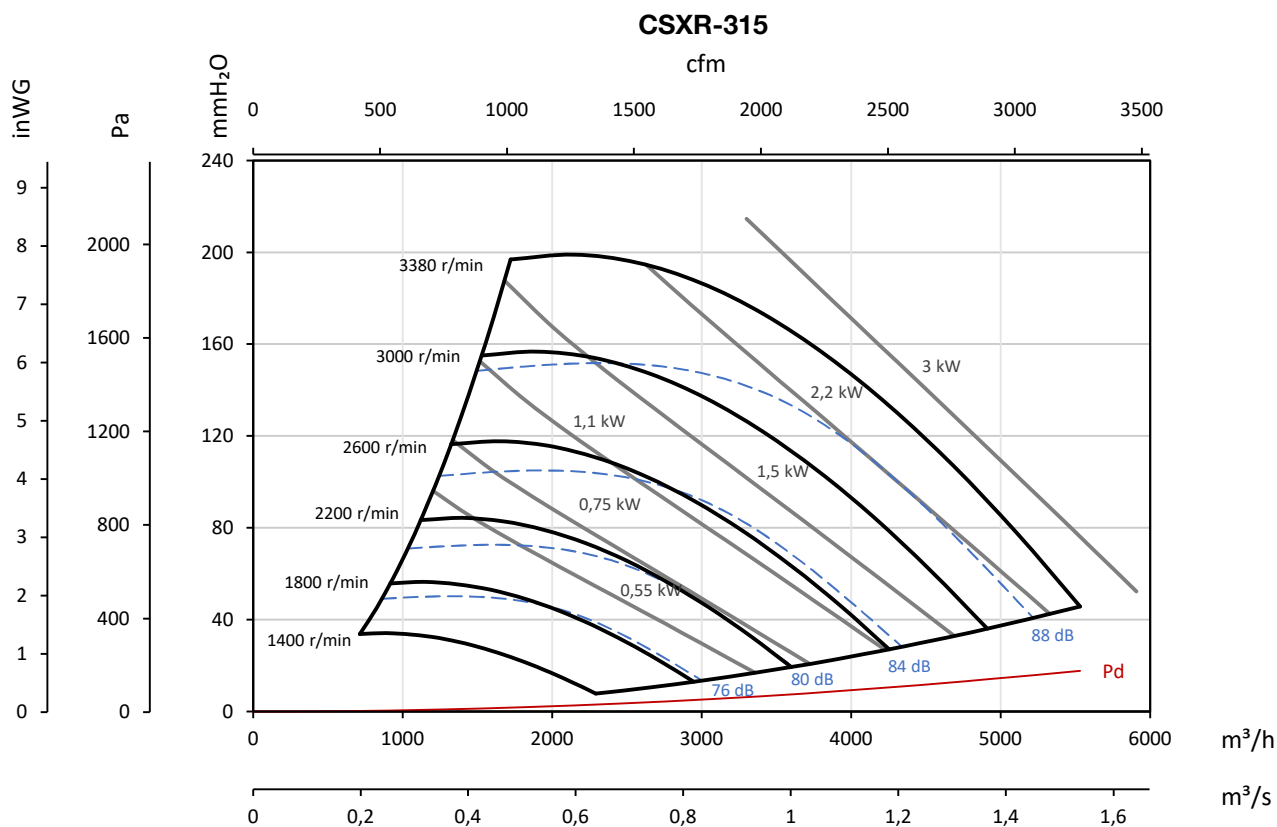


	A	B	B1	B2	C	ØD	Øe	E	F	H	K	L	N	P	Q	V	X	x
CSXR-560	893	1030	-	605	383	570	40	390	87	420	662.7	715	13x18	530	530	845	483	433
CSXR-630	999	1157	-	681	432	635	45	434	87	471.5	718	801	13x18	530	530	946	532	482
CSXR-710	1121	1303	-	766	478	722	50	485	115	531	800.3	898	17x22	630	630	1058	578	528
CSXR-800	1250	1468	-	862	533	808	65	535	126	606	840.5	1008	17x22	705	705	1181	633	583
CSXR-900	1408	1649	1	971	595	896	65	604	135	677	911.5	1130	17x22	550	550	1319	695	645
CSXR-1000	1501	1810	1	1066	663	996	65	617	135	744	979.5	1267	17x22	895	895	1462	763	713

Characteristic curves

Q= Flow rate in m³/h, m³/s and cfm

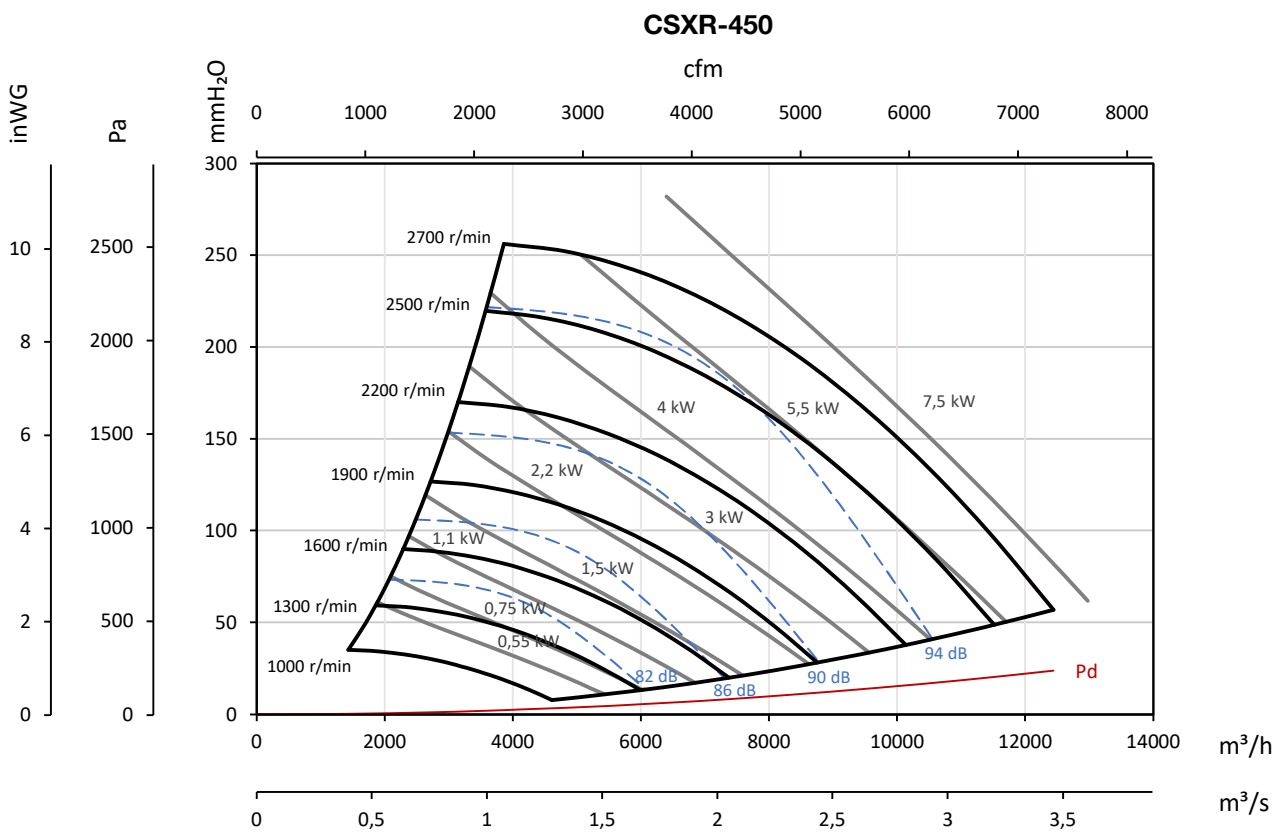
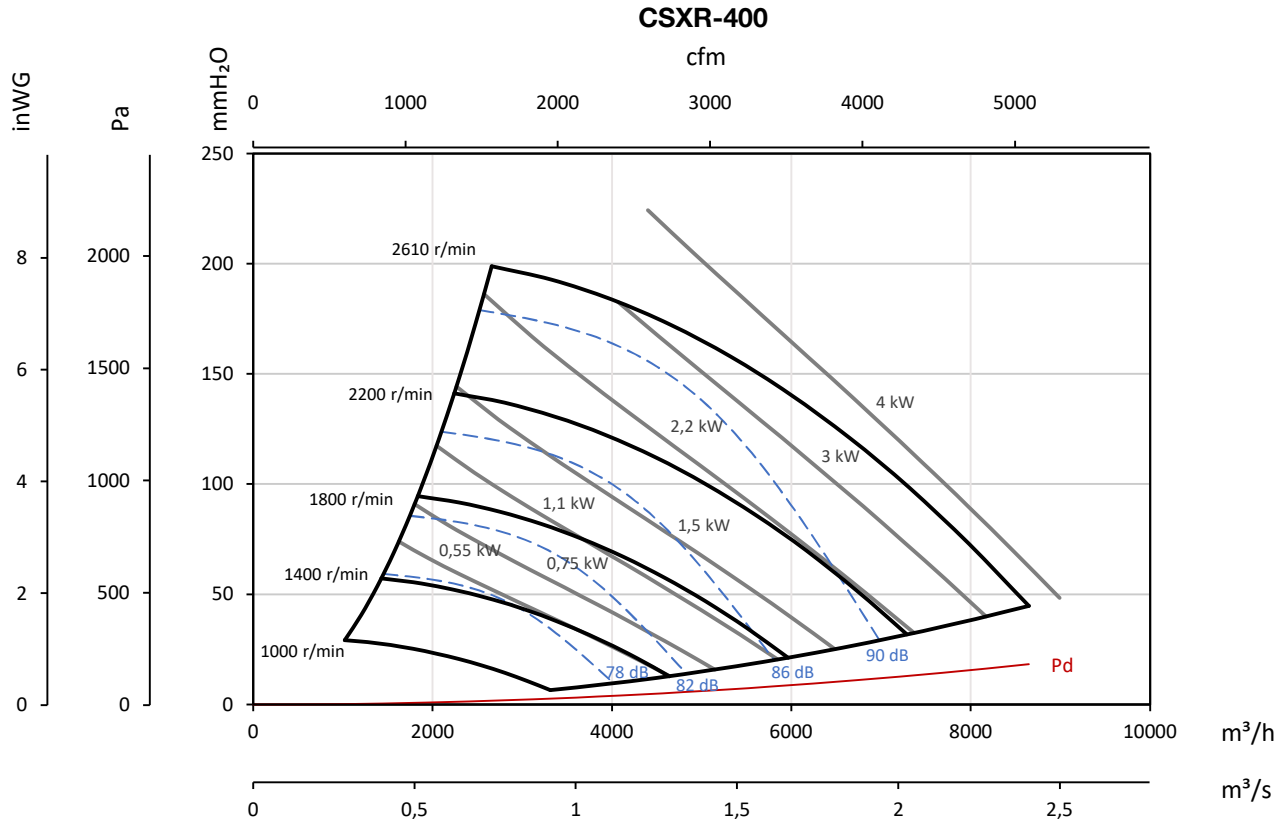
Pe= Static pressure in mm H₂O, Pa and inWG



Characteristic curves

Q= Flow rate in m³/h, m³/s and cfm

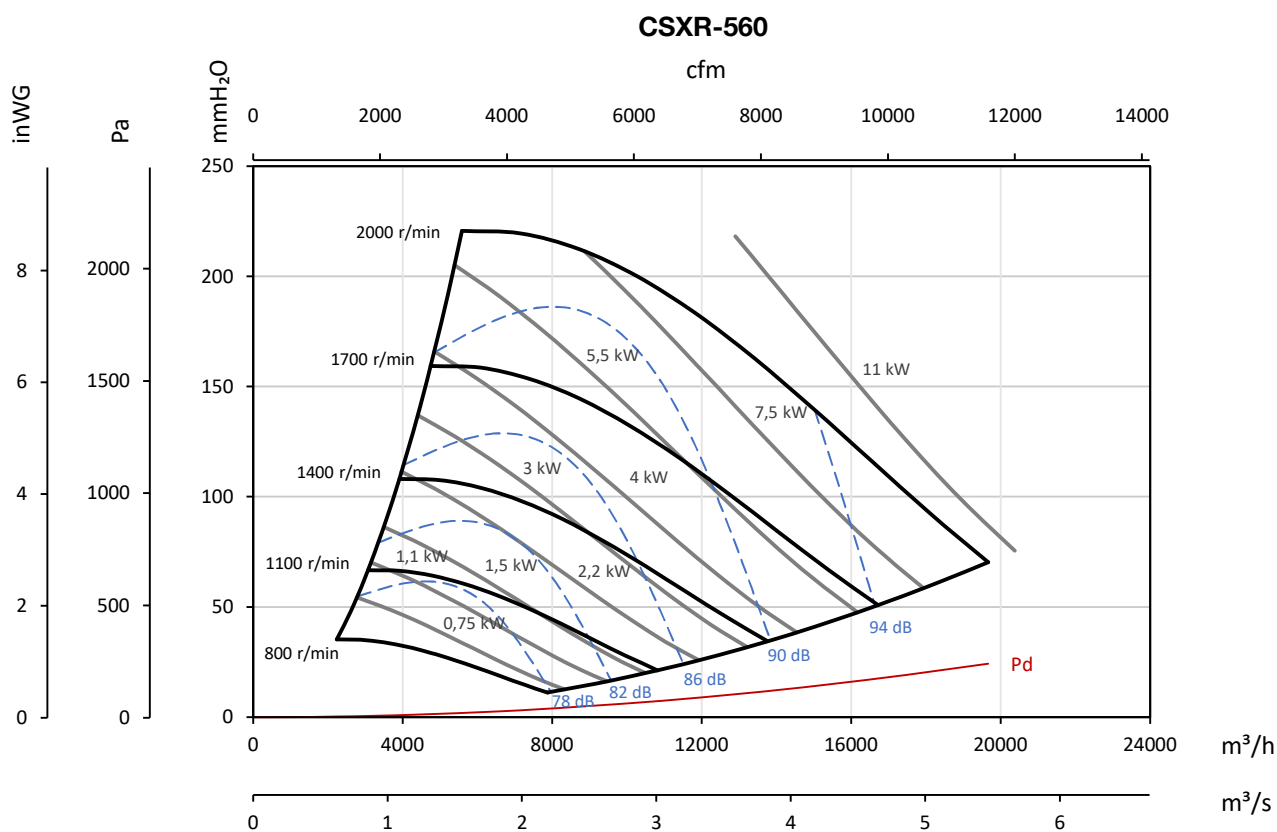
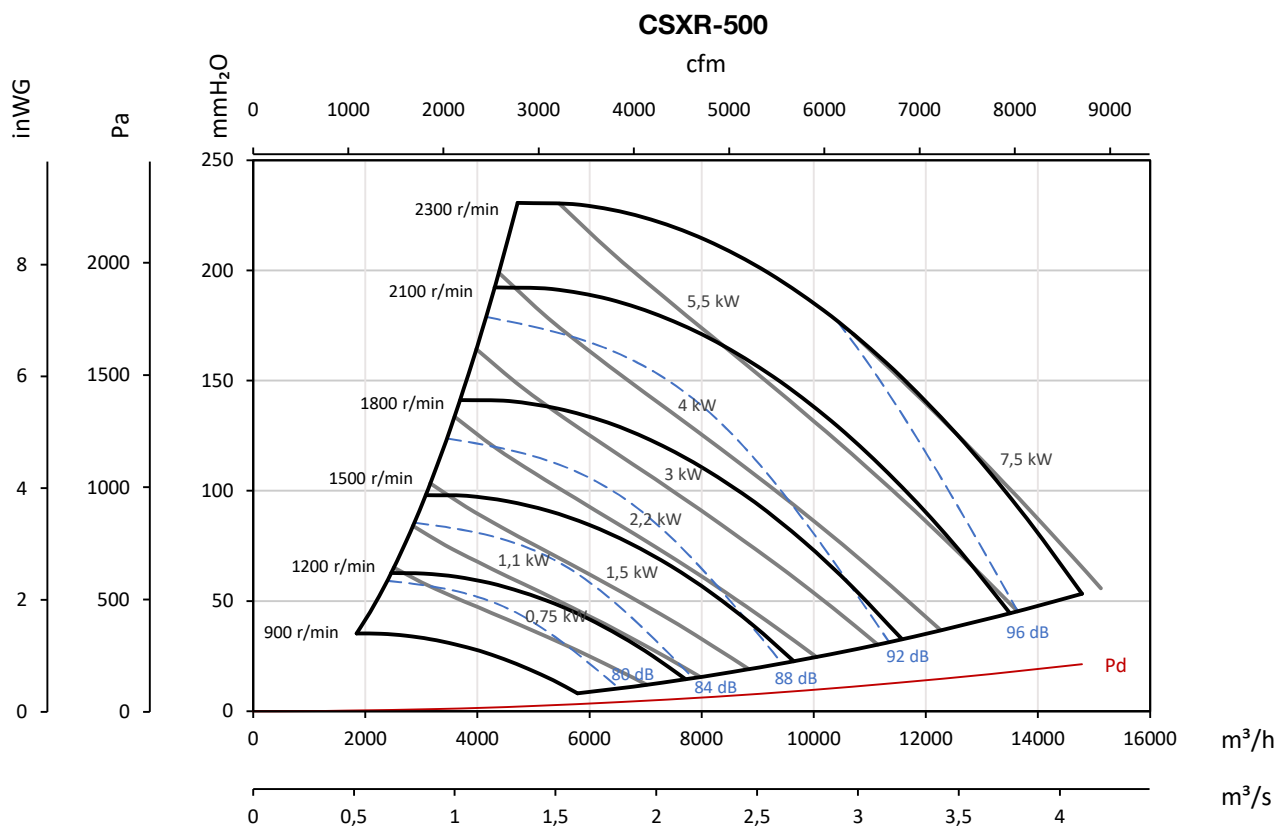
Pe= Static pressure in mm H₂O, Pa and inWG



Characteristic curves

Q= Flow rate in m³/h, m³/s and cfm

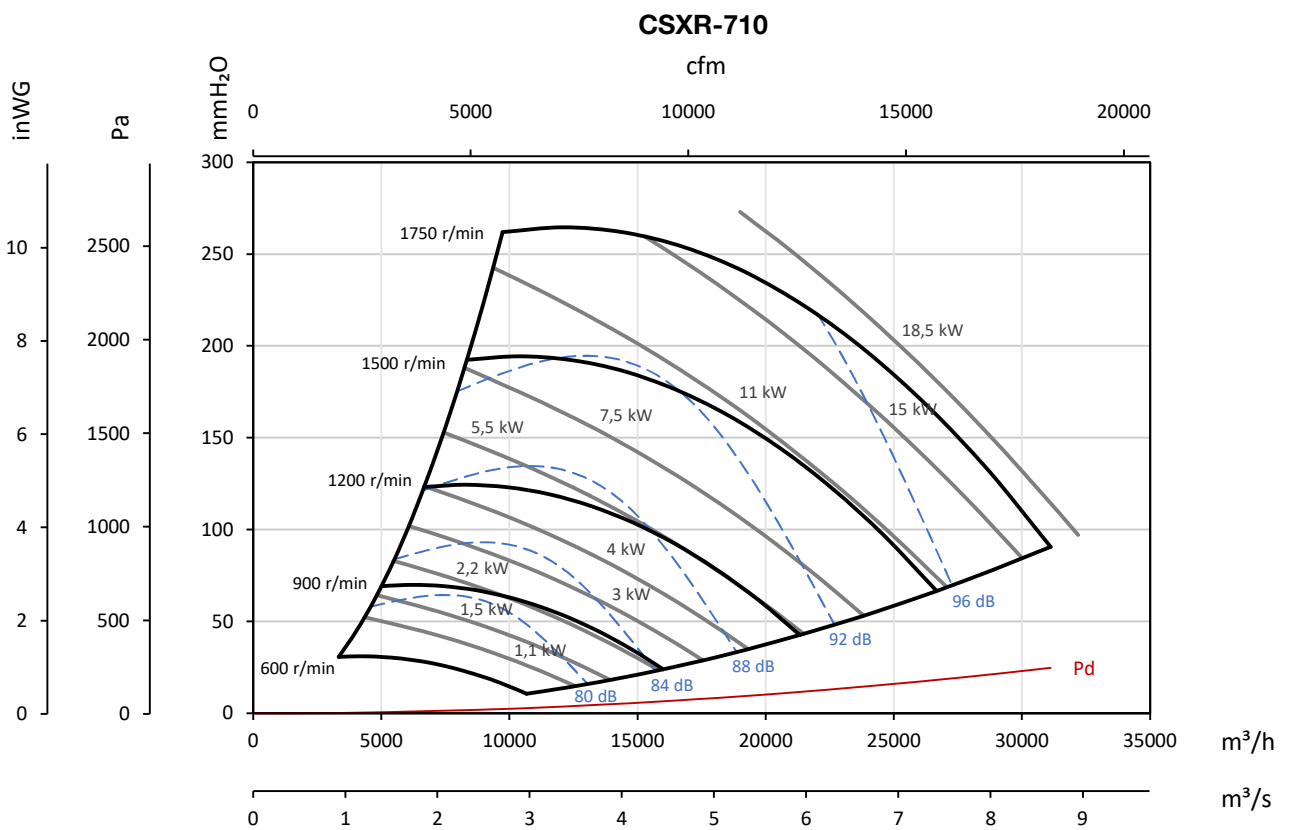
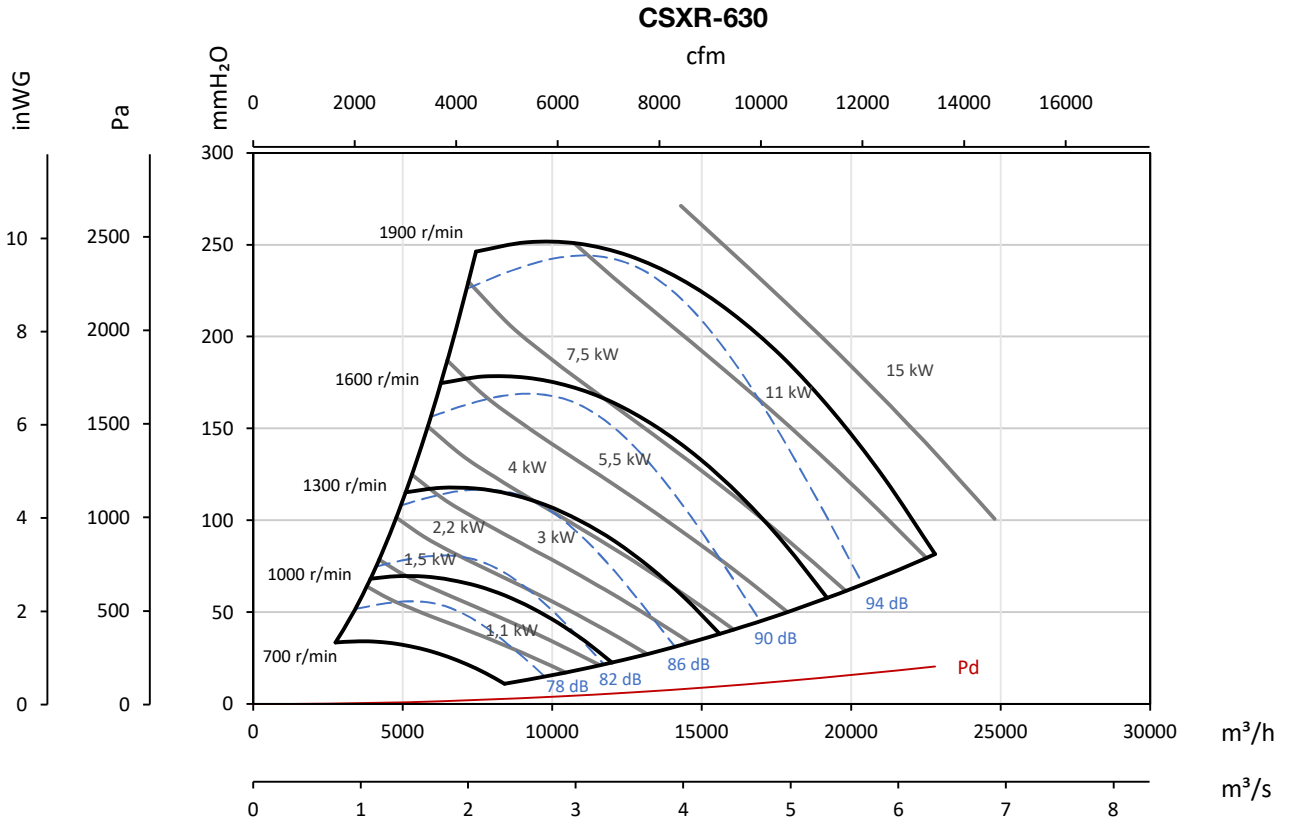
Pe= Static pressure in mm H₂O, Pa and inWG



Characteristic curves

Q= Flow rate in m³/h, m³/s and cfm

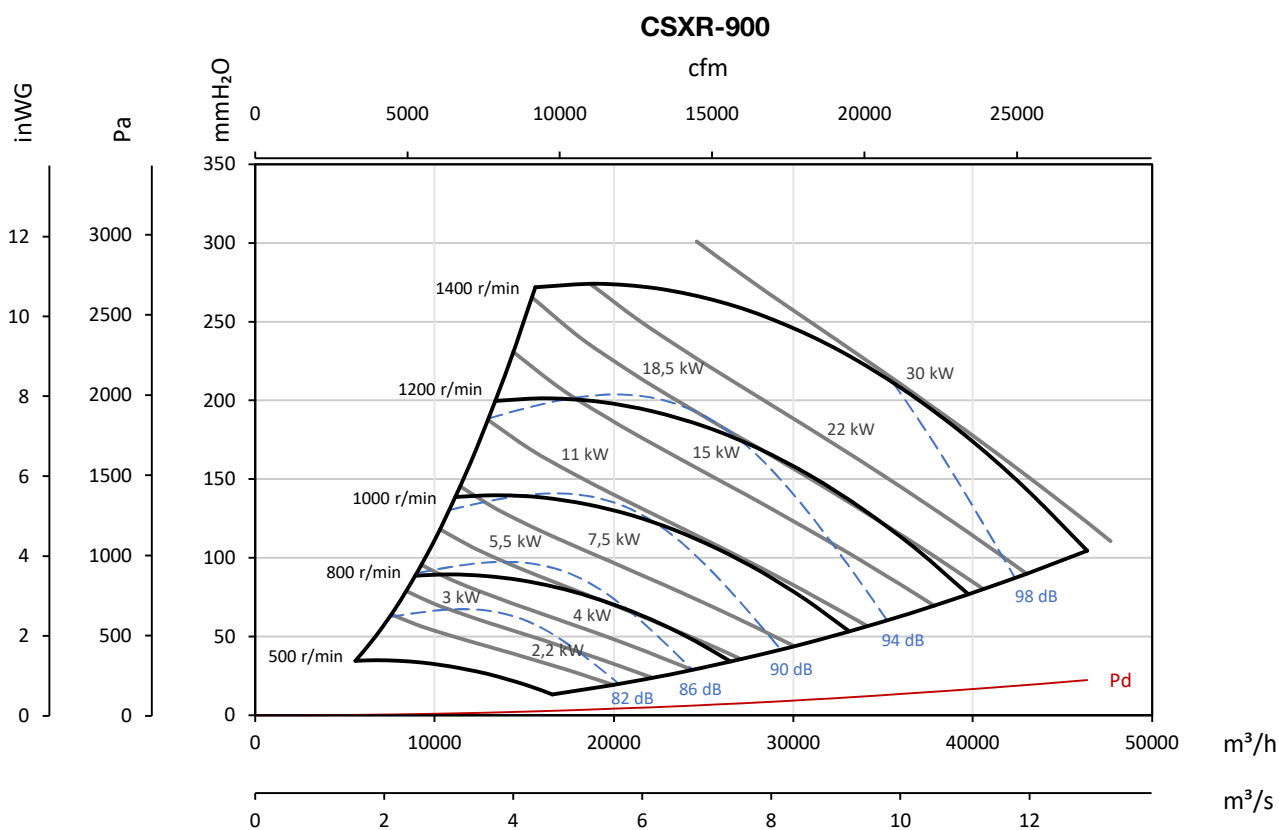
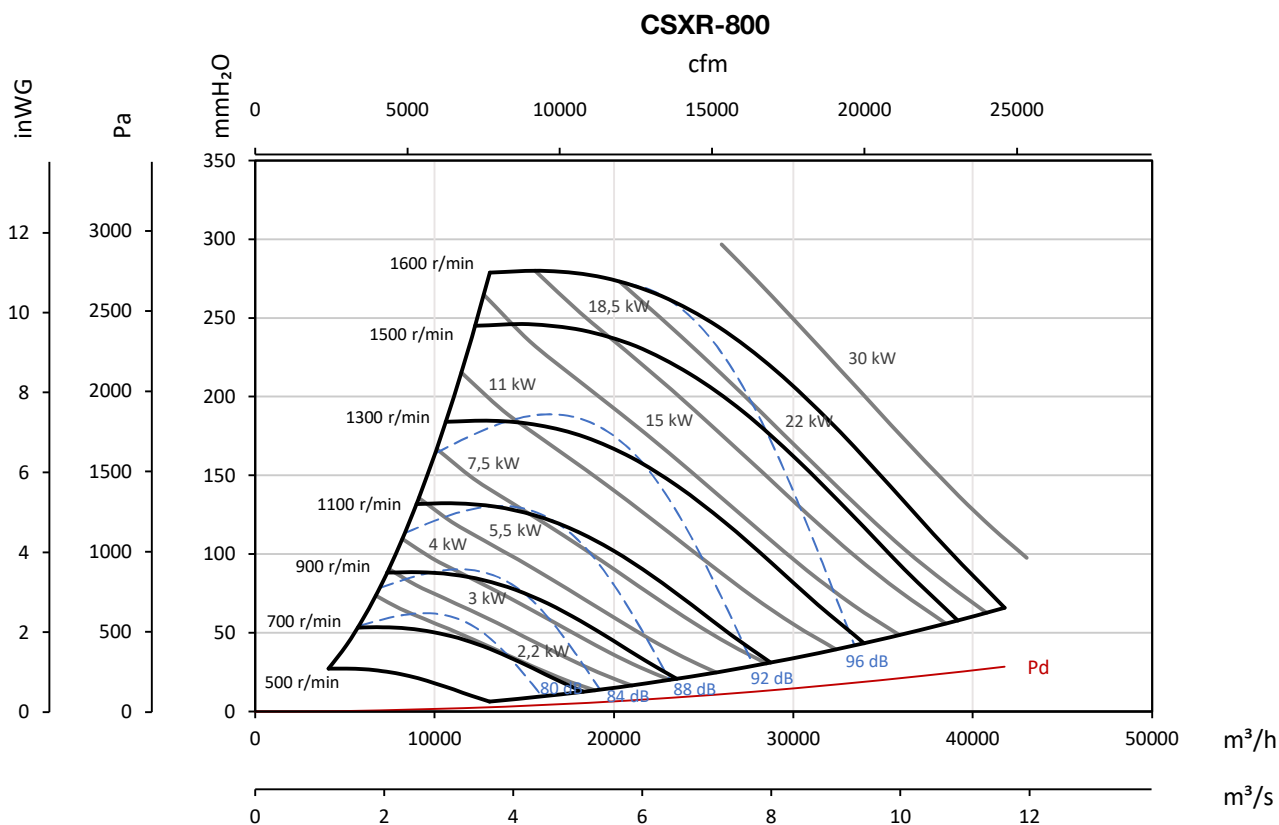
Pe= Static pressure in mm H₂O, Pa and inWG



Characteristic curves

Q= Flow rate in m³/h, m³/s and cfm

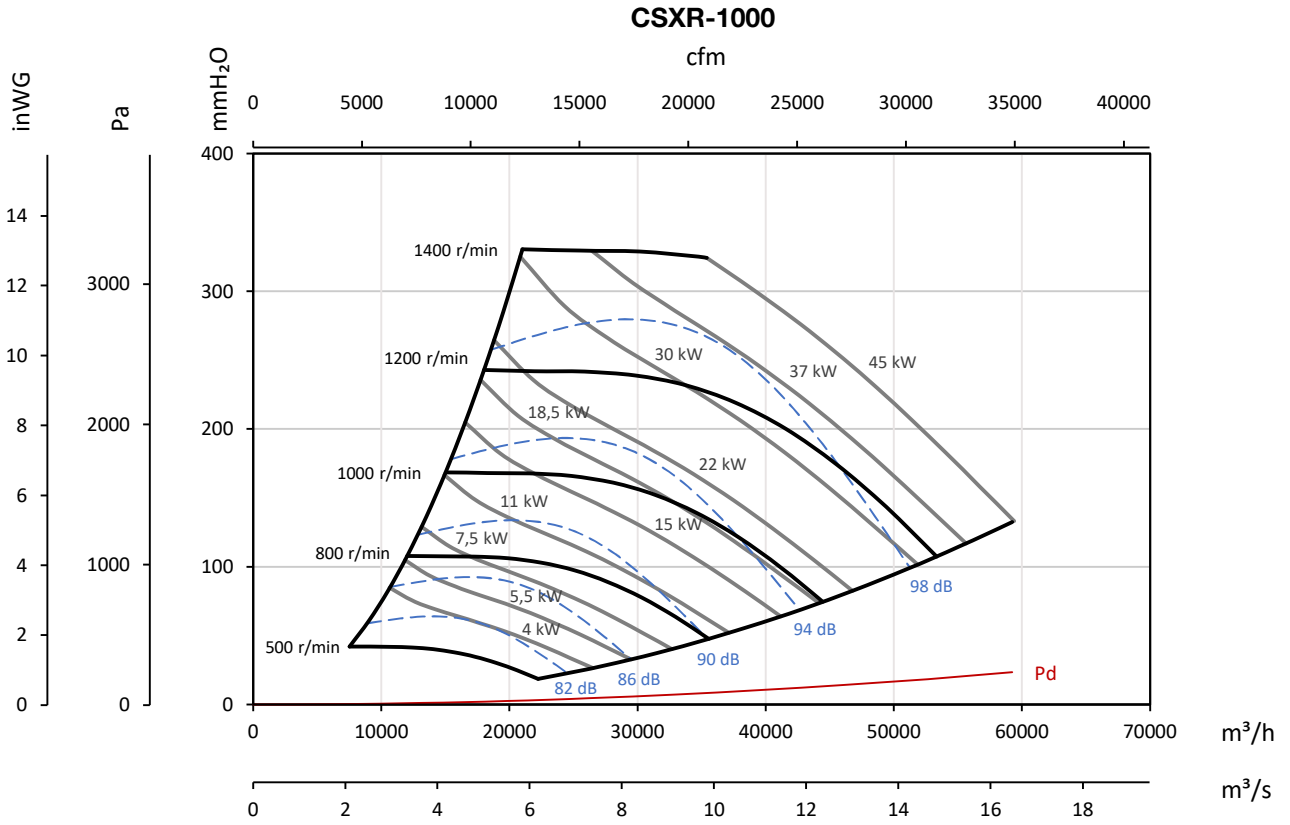
Pe= Static pressure in mm H₂O, Pa and inWG



Characteristic curves

Q= Flow rate in m³/h, m³/s and cfm

Pe= Static pressure in mm H₂O, Pa and inWG



Accessories



INT



VSD3/A-RFT
- VSD1/A-RFM



AET



ACE ACE/400