

# TIRACANO

*Chimney smoke extract fans*



- Specially designed for the extraction of smoke up to 200 °C from chimneys.
- Fitted with an electronic regulator that adjusts the speed and flow rate of the extract fan, depending on the real smoke extraction needs.
- Designed for continuous operation at 200 °C.
- Bird protection grid.
- Aluminum rain cover..
- Supply voltage at 230 V AC 50 Hz.

Motor:

- Single-phase 230 V 50/60 Hz.

Construction:

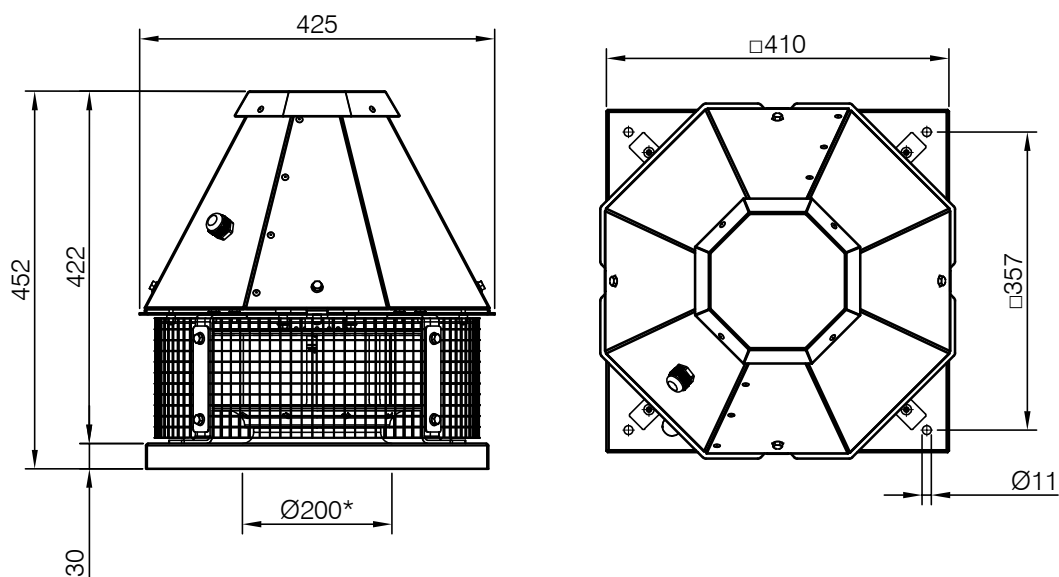
- Support base in galvanised steel sheet.
- Backward curved impeller made of galvanised sheet steel.

## Technical characteristics

Model	Speed	Maximum admissible current (A)	Installed power	Maximum flow rate	Sound pressure level <sup>1</sup> dB (A)	Approx. weight
	(r/min)	230V	(kW)	(m <sup>3</sup> /h)	Irradiated	(Kg)
TIRACANO	1400	0.5	0.12	910	52	17

1. The noise level values are pressures in dB(A) measured at a distance of 3 metres in a free field.

## Dimensions mm

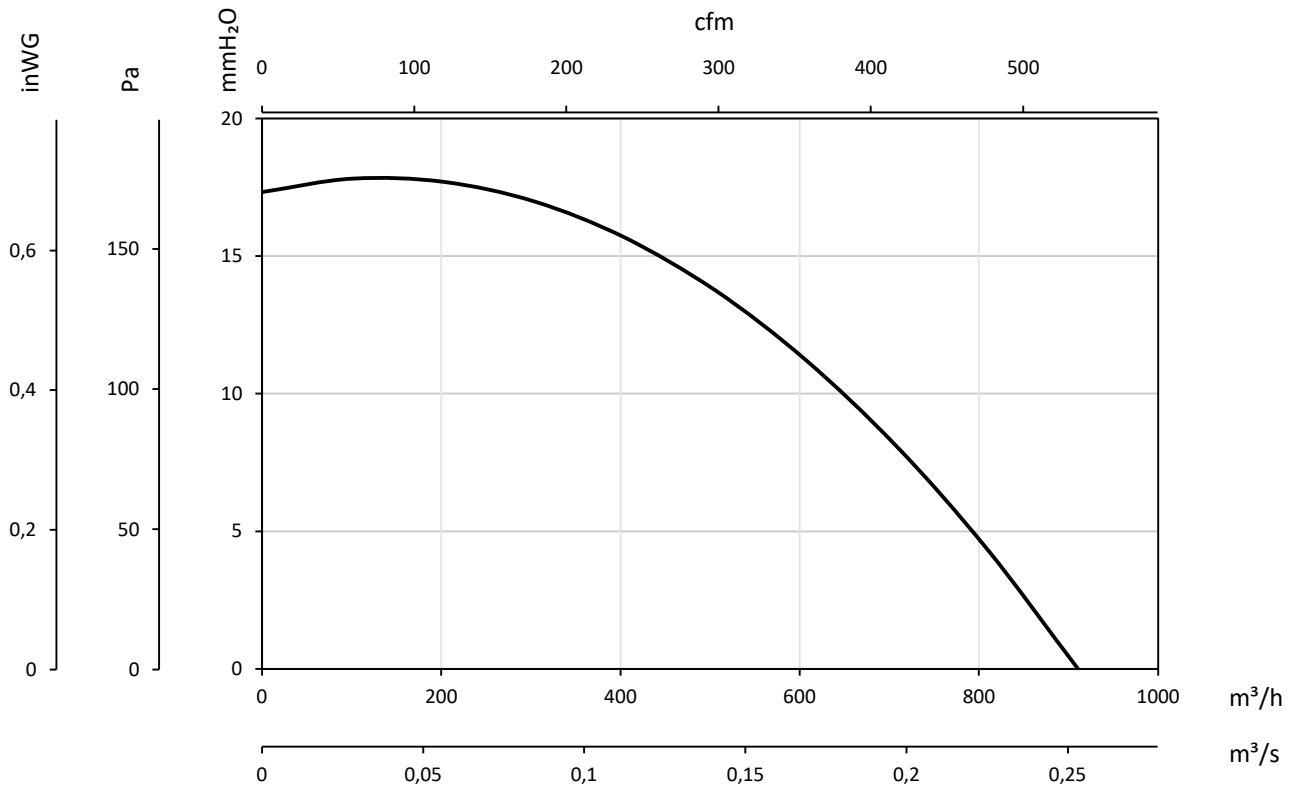


\* Recommended nominal tube diameter

## Characteristic curves

Q= Flow rate in m<sup>3</sup>/h, m<sup>3</sup>/s and cfm

Pe= Static pressure in mm H<sub>2</sub>O, Pa and inwg



## Accessories



INT