

UNIREC

High efficiency single zone heat recovery ventilators for domestic installations



Remote control



Designed to renew the air inside the home while minimising energy loss, and to supply clean air, due to their filters, which prevent particles entering from outside.

Characteristics:

- Reversible EC fan.
- Thermal efficiency of up to 90%.
- Equipped with G3 Filters.
- Compact ceramic heat exchanger.
- Easy installation. Adaptable to various wall thicknesses thanks to its telescopic duct.
- Automatic air intake grille. In the OFF position it remains closed to avoid air leaks.
- In heat recovery mode, the supply and extraction cycle takes 70 seconds.
- Duct length from 120 mm to 300 mm.

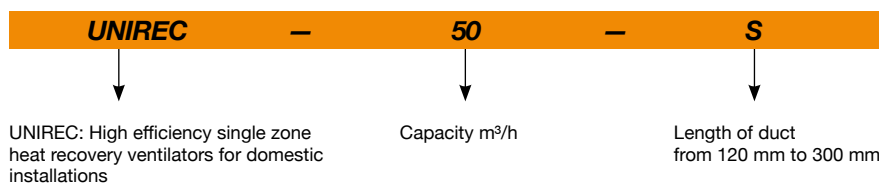
Control:

- Control panel built into the system.
- Remote control.
- Extraction position. Blow or heat recovery.
- Two speeds.
- Humidity control.
- Natural mode. Inlet grille open and fan stopped.
- Possibility of connecting several computers in a network.

Motor:

- Supply voltage from 100 V to 240 V 50/60 Hz.
- Built-in power cable.

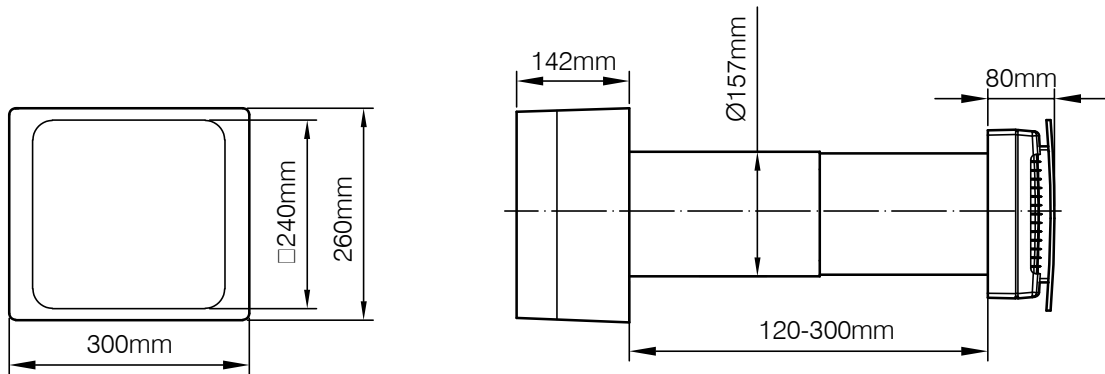
Order code



Technical characteristics

Model	Fans			Input voltage (V)	Frequency (Hz)	Maximum flow rate (m ³ /h)	Thermal efficiency (%)	LpA irradiated 3 m (dB (A))	Temperature of the air to be carried (°C)	Duct diameter (mm)	Length of duct (mm)
	Speed (r/min)	Current (A)	Power (W)								
UNIREC-50-S	1450	0.039	7	1x100-240	50/60	50	90	23	-20 a +40	157	120-300

Dimensions mm



Working cycles in recovery mode

EXTRACTION (70 seconds)



During this cycle, the ceramic heat exchanger absorbs heat from the extracted air.

SUPPLY (70 seconds)



During this cycle, the heat exchanger provides heat to the air coming in from the outside.

Once this cycle has finished, the process of extraction starts again, and so on.

Installation examples

A: Machines working individually in heat recovery mode for a single room.

B: Machines working in a network, synchronised; while one performs the supply cycle, the other performs the extraction cycle, and so on.

