

HCT/HATCH



Dynamic discharge systems with motorised opening function equipped with roof-mount extract fan

Dynamic discharge systems with roof-mounted extract fans and motorised opening function. Suitable for installation in industrial or commercial buildings. Can be used for ambient ventilation in the buildings in which it is installed.

Fan:

- An extremely robust structure that is able to withstand severe weather changes.
- Equipment structure made of anti-corrosive galvanised sheet steel.
- Designed to ensure watertightness.
- 100 mm thick thermal insulation for the hatch and 60 mm for the sides.
- Adapter socket (or skirting) for correct and easy installation on the roof.
- Maintenance switches for actuator and fan disconnection with auxiliary contacts.
- Tubular casing in sheet steel with polyester resin anti-corrosive treatment.
- Cast aluminium impellers.
- Models 125 with 6 or 9 blade cast aluminium impellers, with adjustable angle of inclination.
- Thermal resistance of the assembly less than 0.47 W/m².K.

Opening system:

- Motorised opening arm, with encapsulated IP65 mechanism.
- Supply voltage at 230 V AC 50/60 Hz.
- System reinforced and guaranteed with more than 11,000 cycles.

- Snow load SL 1000.
- Automatic opening by external signal from the control system (fire panel, smoke detector ...). Control systems not included in the equipment.
- Limit switches in both positions (open and closed).

Motor:

- Motors with IE3 efficiency for powers equal to or greater than 0.75 kW, except single-phase, 2-speed and 8-pole.
- Class F motors with ball bearings and IP55 protection.
- Three-phase 230/400 V 50 Hz (up to 4 kW) and 400/690 V 50 Hz (powers greater than 4 kW).
- Working temperature: -25 °C +50 °C.

Finish:

- Galvanised steel sheet.

On request:

- Polyester resin anti-corrosive paint finish.
- Motorised opening arms with supply voltage of 24 V DC.
- Protection grille against contact according to UNE-EN ISO 12499 for inlet and/or outlet.

Model	Speed (r/min)	Maximum admissible current (A)			Installed power (kW)	Blade tilt angle (°)	Maximum flow rate (m ³ /h)	Sound pressure level ¹ dB (A)		Approx. weight (Kg)
		230V	400V	690V				Inlet	Exhaust	
HCT/HATCH-40-2T-1.5 IE3	2830	4.03	2.34		1.10	20	7030	61	61	188
HCT/HATCH-45-2T-2 IE3	2875	5.34	3.07		1.50	16	9395	61	61	193
HCT/HATCH-45-2T-3 IE3	2910	7.32	4.21		2.20	22	11325	61	61	194
HCT/HATCH-45-4T-0.5	1370	2.02	1.17		0.37	36	7100	48	48	189
HCT/HATCH-50-4T-0.75	1380	2.17	1.25		0.55	28	9730	50	50	194
HCT/HATCH-56-4T-1 IE3	1420	2.82	1.62		0.75	22	11270	53	53	202
HCT/HATCH-56-4T-1.5 IE3	1455	4.07	2.34		1.10	30	13605	53	53	201
HCT/HATCH-56-4T-2 IE3	1440	5.41	3.11		1.50	36	15025	54	54	205
HCT/HATCH-56-6T-0.75	900	2.99	1.73		0.55	38	10000	44	44	201
HCT/HATCH-63-4T-1 IE3	1420	2.82	1.62		0.75	14	15185	57	57	206
HCT/HATCH-63-4T-1.5 IE3	1455	4.07	2.34		1.10	20	17795	56	56	208
HCT/HATCH-63-4T-2 IE3	1440	5.41	3.11		1.50	24	19275	56	56	212
HCT/HATCH-63-4T-3 IE3	1435	7.93	4.56		2.20	32	22165	58	58	221
HCT/HATCH-63-4T-4 IE3	1440	10.70	6.15		3.00	38	24240	59	59	230
HCT/HATCH-63-6T-0.75	900	2.99	1.73		0.55	28	13590	47	47	249
HCT/HATCH-71-4T-2 IE3	1440	5.41	3.11		1.50	14	20915	60	60	260
HCT/HATCH-71-4T-3 IE3	1435	7.93	4.56		2.20	22	25110	60	60	269
HCT/HATCH-71-4T-4 IE3	1440	10.70	6.15		3.00	28	27480	60	60	278

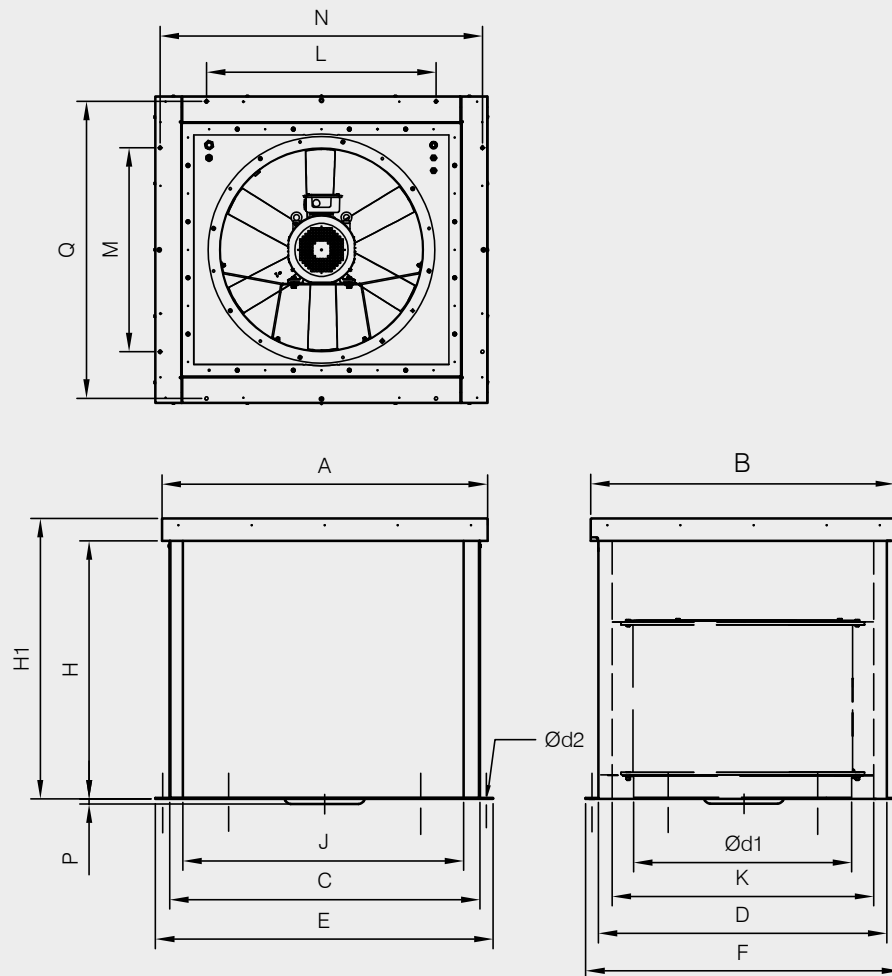
Model	Speed (r/min)	Maximum admissible current (A)			Installed power (kW)	Blade tilt angle (°)	Maximum flow rate (m³/h)	Sound pressure level ¹ dB (A)		Approx. weight (Kg)
		230V	400V	690V				Inlet	Exhaust	
HCT/HATCH-71-6T-1 IE3	940	3.36	1.93		0.75	26	17305	50	50	260
HCT/HATCH-71-6T-1.5 IE3	945	4.68	2.69		1.10	34	19930	51	51	268
HCT/HATCH-80-4T-3 IE3	1435	7.93	4.56		2.20	12	25450	65	65	280
HCT/HATCH-80-4T-4 IE3	1440	10.70	6.15		3.00	16	30270	64	64	289
HCT/HATCH-80-4T-5.5 IE3	1450	13.90	8.00		4.00	18	32765	63	63	295
HCT/HATCH-80-6T-1.5 IE3	945	4.68	2.69		1.10	18	21470	53	53	279
HCT/HATCH-80-6T-2 IE3	950	6.43	3.70		1.50	26	25965	54	54	288
HCT/HATCH-90-4T-5.5 IE3	1450	13.90	8.00		4.00	12	38880	68	68	318
HCT/HATCH-90-4T-7.5 IE3	1465		10.30	5.97	5.50	18	46135	67	67	344
HCT/HATCH-90-4T-10 IE3	1465		13.90	8.06	7.50	22	50140	66	66	293
HCT/HATCH-90-6T-2 IE3	950	6.43	3.70		1.50	16	28775	56	56	311
HCT/HATCH-90-6T-3 IE3	950	9.08	5.22		2.20	24	33995	56	56	365
HCT/HATCH-90-6T-4 IE3	970	12.00	6.91		3.00	30	38910	59	59	391
HCT/HATCH-100-4T-7.5 IE3	1465		10.30	5.97	5.50	10	46860	72	72	400
HCT/HATCH-100-4T-10 IE3	1465		13.90	8.06	7.50	16	57415	69	69	411
HCT/HATCH-100-4T-15 IE3	1470		20.90	12.10	11.00	22	66300	69	69	466
HCT/HATCH-100-4T-20 IE3	1465		27.90	16.20	15.00	28	76155	70	70	481
HCT/HATCH-100-6T-3 IE3	950	9.08	5.22		2.20	16	37615	60	60	375

Model	Speed (r/min)	Maximum admissible current (A)			Installed power (kW)	Blade tilt angle (°)	Maximum flow rate (m³/h)	Sound pressure level ¹ dB (A)		Approx. weight (Kg)
		230V	400V	690V				Inlet	Exhaust	
HCT/HATCH-100-6T-4 IE3	970	12.00	6.91		3.00	20	41170	59	59	401
HCT/HATCH-100-6T-5.5 IE3	960	15.60	8.99		4.00	26	47780	60	60	413
HCT/HATCH-125-4T/6-25 IE3	1470		35.10	20.30	18.50	14	92545	76	76	746
HCT/HATCH-125-4T/6-30 IE3	1470		41.00	23.80	22.00	16	98830	75	75	760
HCT/HATCH-125-4T/6-40 IE3	1480		57.10	33.10	30.00	22	117455	75	75	841
HCT/HATCH-125-4T/6-50 IE3	1480		66.80	38.70	37.00	26	131065	75	75	889
HCT/HATCH-125-4T/9-25 IE3	1470		35.10	20.30	18.50	10	79670	77	77	755
HCT/HATCH-125-4T/9-30 IE3	1470		41.00	23.80	22.00	12	88280	76	76	769
HCT/HATCH-125-4T/9-40 IE3	1480		57.10	33.10	30.00	16	104040	75	75	850
HCT/HATCH-125-4T/9-50 IE3	1480		66.80	38.70	37.00	20	118400	75	75	898
HCT/HATCH-125-6T/6-5.5 IE3	960	15.60	8.99		4.00	10	51500	67	67	611
HCT/HATCH-125-6T/6-7.5 IE3	970		11.20	6.49	5.50	14	60635	65	65	618
HCT/HATCH-125-6T/6-10 IE3	975		14.80	8.58	7.50	20	72645	64	64	643
HCT/HATCH-125-6T/6-15 IE3	975		21.90	12.70	11.00	26	85870	64	64	673
HCT/HATCH-125-6T/6-20 IE3	975		28.20	16.30	15.00	30	92855	66	66	746
HCT/HATCH-125-6T/9-10 IE3	975		14.80	8.58	7.50	14	63485	67	67	652
HCT/HATCH-125-6T/9-15 IE3	975		21.90	12.70	11.00	20	77570	65	65	682
HCT/HATCH-125-6T/9-20 IE3	975		28.20	16.30	15.00	26	92970	65	65	755

¹The noise level values are pressures in dB(A) measured at a distance of 10 metres in a free field.



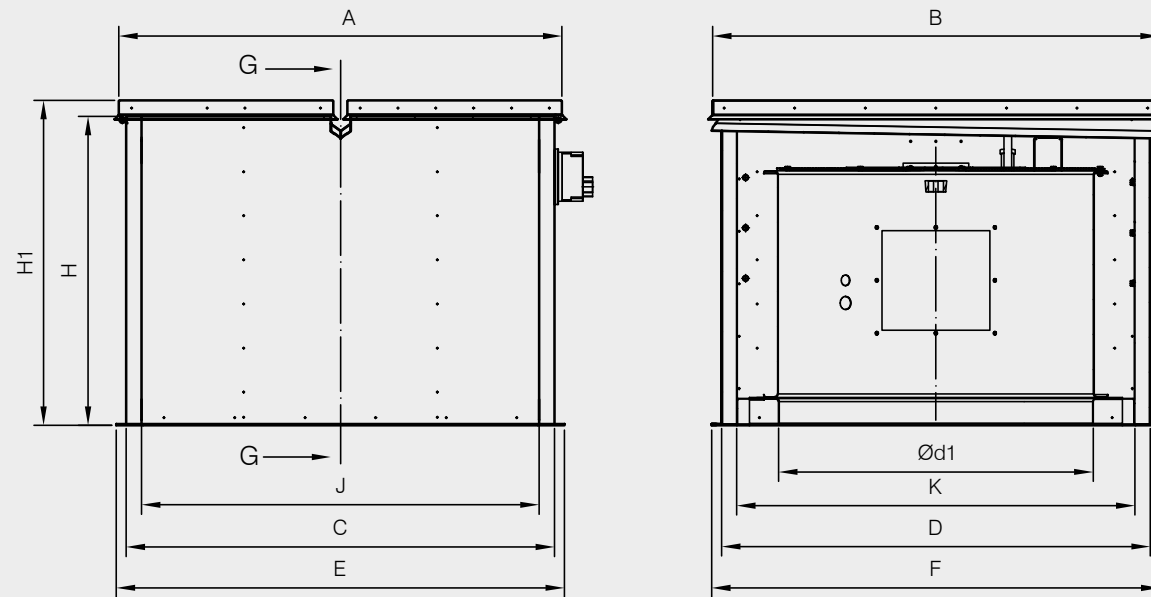
HCT/HATCH
40 ... 100



Model	A	B	C	D	Ød1	E	F	H	H1
HCT/HATCH-40	1100	1000	1020	920	400	1100	1000	900	1000
HCT/HATCH-45	1100	1000	1020	920	450	1100	1000	900	1000
HCT/HATCH-50	1100	1000	1020	920	500	1100	1000	900	1000
HCT/HATCH-56	1100	1000	1020	920	560	1100	1000	900	1000
HCT/HATCH-63	1300	1200	1220	1120	630	1300	1200	900	1000
HCT/HATCH-71	1300	1200	1220	1120	710	1300	1200	900	1000
HCT/HATCH-80	1300	1200	1220	1120	800	1300	1200	900	1000
HCT/HATCH-90	1500	1400	1420	1320	900	1500	1400	900	1000
HCT/HATCH-100	1500	1400	1420	1320	1000	1500	1400	900	1000
HCT/HATCH-100-4T-15	1500	1400	1420	1320	1000	1500	1400	900	1000
HCT/HATCH-100-4T-20	1500	1400	1420	1320	1000	1500	1400	900	1000

Model	J	K	L	M	N	P	Q	Ød2
HCT/HATCH-40	900	800	700	600	1065	-	965	13
HCT/HATCH-45	900	800	700	600	1065	-	965	13
HCT/HATCH-50	900	800	700	600	1065	-	965	13
HCT/HATCH-56	900	800	700	600	1065	-	965	13
HCT/HATCH-63	1100	1000	900	800	1265	-	1165	13
HCT/HATCH-71	1100	1000	900	800	1265	-	1165	13
HCT/HATCH-80	1100	1000	900	800	1265	-	1165	13
HCT/HATCH-90	1300	1200	1100	1000	1465	-	1365	13
HCT/HATCH-100	1300	1200	1100	1000	1465	-	1365	13
HCT/HATCH-100-4T-15	1300	1200	1100	1000	1465	80	1365	13
HCT/HATCH-100-4T-20	1300	1200	1100	1000	1465	80	1365	13

HCT/HATCH-125



Model	A	B	C	D	ød1	E	F	H	H1	J	K
HCT/HATCH-125	1750	1775	1700	1700	1245	1780	1780	1230	1330	1580	1580