

CMSH/B



Medium pressure centrifugal fans, equipped with a backward curved impeller and a heat insulated box with mineral fibre



Fan:

- Sheet steel structure.
- Backward curved impeller made of sheet steel.
- Box with high density mineral fibre insulation with high thermal insulation.
- Mineral fibre 30 mm thick on all sides of the box.
- Maximum temperature of air to be carried: -25 °C +250 °C.

Motor:

- Motors with IE3 efficiency for powers equal to or greater than 0.75 kW, except single-phase, 2-speed and 8-pole.

- Class F motors with ball bearings and IP55 protection.
- Three-phase 230/400 V 50 Hz (up to 4 kW) and 400/690 V 50 Hz (powers greater than 4 kW).
- Working temperature: -25 °C +50 °C.

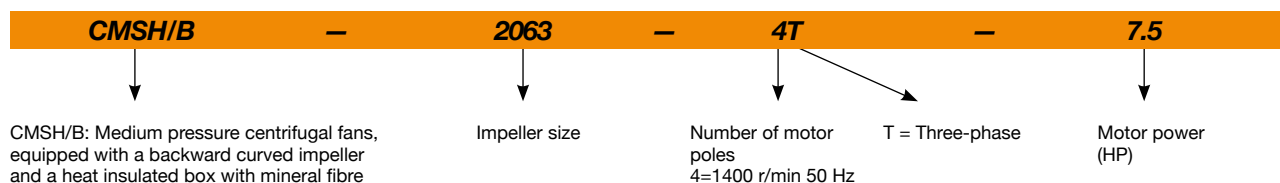
Finish:

- Treatment with anticorrosive paint.

On request:

- Special windings for different voltages.
- Stainless steel construction.

Order code



Technical characteristics

Model	Speed (r/min)	Maximum admissible current (A)			Installed power (kW)	Maximum flow rate (m ³ /h)	Sound pressure level ¹ dB (A) Irradiated	Approx. weight (Kg)
		230V	400V	690V				
CMSH-1240-4T-1.5/B IE3	1410	4.07	2.34		1.10	5300	56	57
CMSH-1445-4T-2/B IE3	1420	5.41	3.11		1.50	8450	65	69
CMSH-1650-4T-3/B IE3	1430	7.93	4.56		2.20	10900	66	80
CMSH-1856-4T-5.5/B IE3	1425	13.90	8.00		4.00	17100	74	93
CMSH-2063-4T-7.5/B IE3	1450		10.30	5.97	5.50	19200	73	150
CMSH-2271-4T-15/B IE3	1470		20.90	12.10	11.00	31000	81	196
CMSH-2380-4T-30/B IE3	1470		41.00	23.80	22.00	47600	84	266

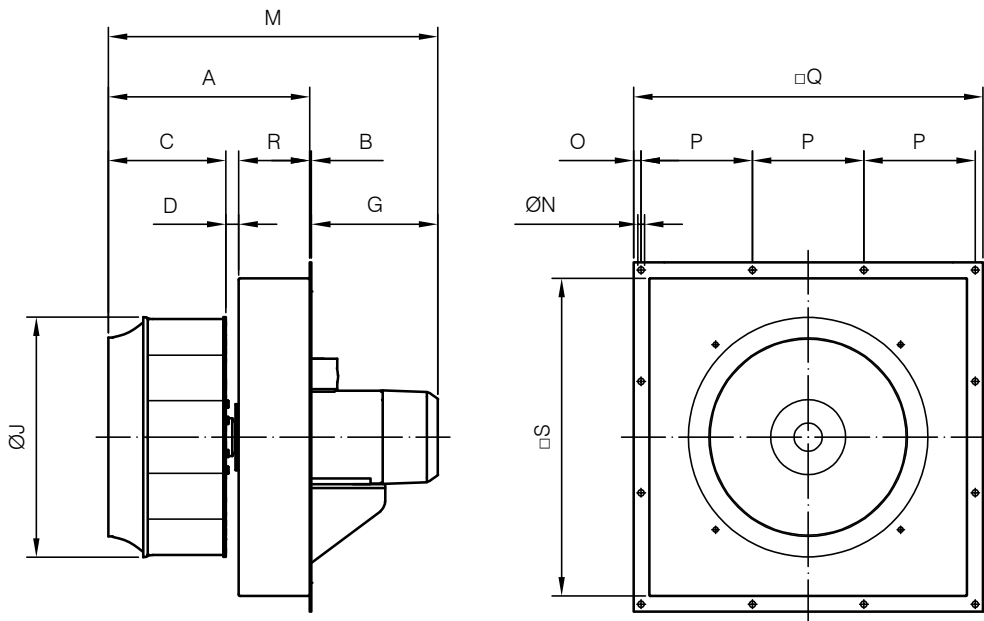
1. The noise level values are pressures in dB(A) measured at a distance of 3 metres in a free field.

Acoustic characteristics

Sound power spectrum Lw(A) in dB(A) per Hz frequency band
Irradiated values at maximum flow rate

	63	125	250	500	1000	2000	4000	8000		63	125	250	500	1000	2000	4000	8000
CMSH-1240-4T-1.5/B	56	62	67	68	71	73	65	59	CMSH-2063-4T-7.5/B	66	72	91	86	86	86	83	74
CMSH-1445-4T-2/B	55	65	78	81	79	79	75	65	CMSH-2271-4T-15/B	73	79	97	96	94	94	91	83
CMSH-1650-4T-3/B	52	65	79	79	82	80	77	67	CMSH-2380-4T-30/B	76	82	100	99	97	97	94	86
CMSH-1856-4T-5.5/B	64	71	88	88	87	87	86	83									

Dimensions mm



	A	B	C	D	G	ØJ	M	ØN	O	P	Q	R	S
CMSH-1240-4T-1.5/B	358.5	4	187.5	21	241.5	407	604	14	15	200	630	150	563
CMSH-1445-4T-2/B	402	4	220	28.5	241.5	458	644	14	15	200	630	150	563
CMSH-1650-4T-3/B	431	4	249	30	275	508	705.5	14	16	236	740	150	673
CMSH-1856-4T-5.5/B	451	4	278.5	22	258	573	706	14	16	236	740	150	673
CMSH-2063-4T-7.5/B	474	4	299	25	339.5	644	817.5	14	19	284	890	150	813
CMSH-2271-4T-15/B	514	5	330	34	404.5	719	924	14	19	284	890	150	813
CMSH-2380-4T-30/B	538.5	5	366	21.5	498.5	808	1043	14	19	248	1030	150	953

Accessories



Characteristic curves

Q= Flow rate in m³/h, m³/s and cfm

Pe= Static pressure in mm H₂O, Pa and inWG

